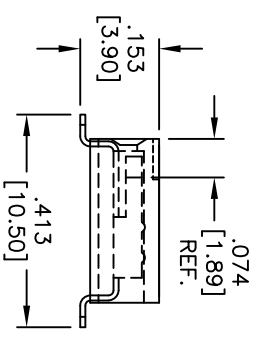
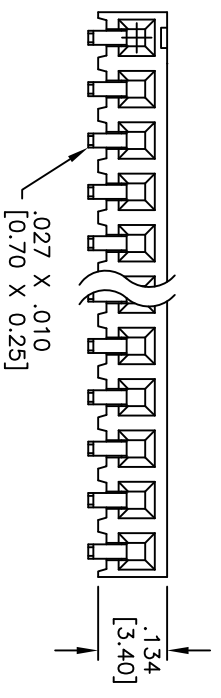
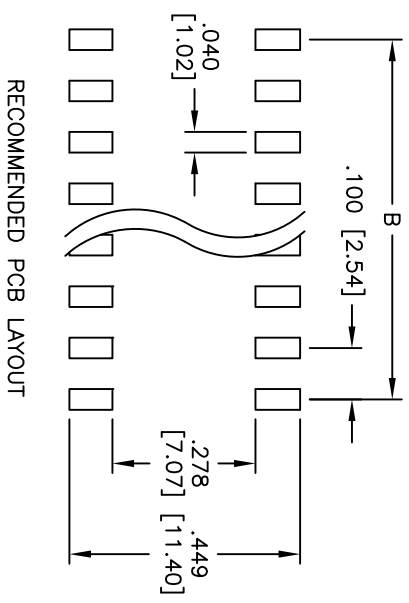
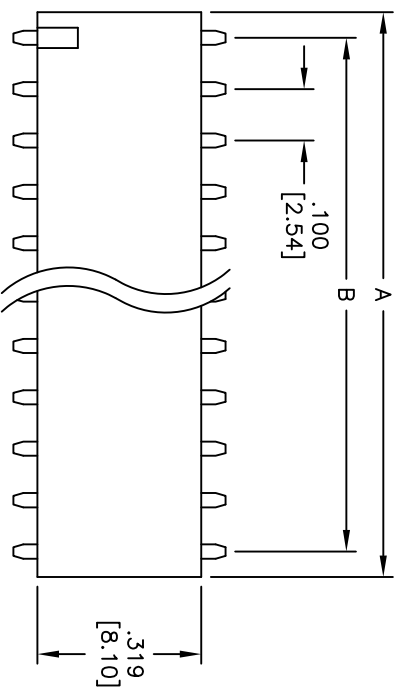


Rev	AWO #	Description	Date	Appr
-		RELEASED	10/13/09	

APPROVED: \_\_\_\_\_  
 DATE: \_\_\_\_\_ TITLE: \_\_\_\_\_



PACKAGED ON TAPE & REEL  
 A = .100 [2.54] x No. of Positions per row  
 B = .100 [2.54] x No. of Spaces

**SPECIFICATIONS:**

Material: Hi-Temp Polyester Nylon 6T, rated UL 94V-0  
 Insulator color: Black  
 Contacts: Phosphor Bronze  
 Plating: Tin over Copper underplate overall.  
 Electrical:  
 Operating voltage: 250 VAC max  
 Current rating: 3 Amps max  
 Contact Resistance: 20 mOhms max.  
 Insulation resistance: 1,000 Mohms min @ 500 VDC  
 Dielectric withstanding voltage: 600 VAC for 1 minute  
 Temperature Rating:  
 Operating temperature: -40°C to +105°C  
 Environmental:  
 Lead free, RoHS Compliant  
 Recommended soldering temp: 260°C for 5 seconds

**ADAM TECH**

909 Railway Avenue, Union, NJ 07083  
 Phone: 908-687-5000 Fax: 908-687-5710

RECEPTACLE STRIP, 100 SINGLE ROW  
 SIDE ENTRY, SMT, TIN PLATED

UNLESS OTHERWISE SPECIFIED ALL DIMENSIONS ARE INCHES [MM]	
TOLERANCES: EXCEPT AS NOTED	
INCHES	
.X ± .10	ØX ± .10
.XX ± .020	ØXX ± .015
.XXX ± .015	ØXXX ± .010
APPROVALS	DATE
DRAWN	SS
CHECKED	
APPROVED	

TITLE		PART NO.		REV.
RECEPTACLE STRIP, 100 SINGLE ROW		RS1BR-XX-T-SMT-T/R		-
SIDE ENTRY, SMT, TIN PLATED		SCALE: NTS	SHEET 1 OF 1	