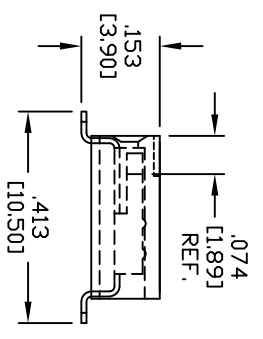
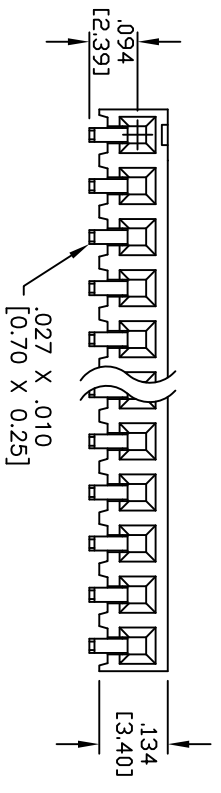
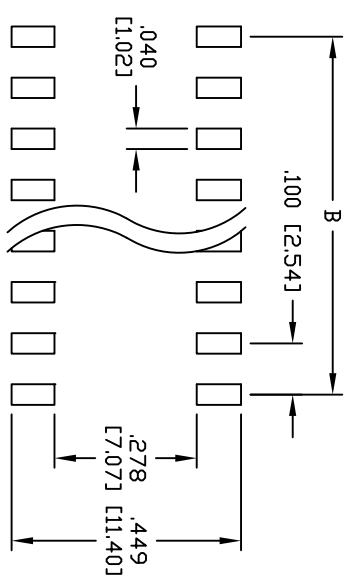
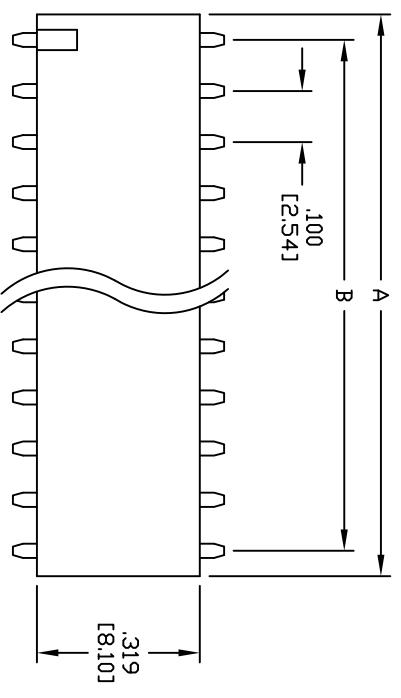


Rev	AWO #	Description	Date	Appr
-		RELEASED	10/13/09	

APPROVED: _____
 DATE: _____ TITLE: _____



A = .100 [2.54] X No. of Positions
 B = .100 [2.54] X No. of Spaces

SPECIFICATIONS:

Material: Hi-Temp Polyester Nylon 6T, rated UL 94V-0
Insulator color: Black
Contacts: Phosphor Bronze
Plating:
 Gold Flash over Nickel underplate on contact area, Tin over Copper underplate on solder tails
Electrical:
 Operating voltage: 250 VAC max
 Current rating: 3 Amps max
 Contact Resistance: 20 mOhms Max.
 Insulation resistance: 1,000 Mohms min @ 500 VDC
 Dielectric withstanding voltage: 600 VAC for 1 minute
Temperature Rating:
 Operating temperature: -40°C to +105°C
Environmental:
 Lead free, RoHS Compliant
 Recommended soldering temp: 260°C for 5 seconds

UNLESS OTHERWISE SPECIFIED ALL DIMENSIONS ARE INCHES [MM] TOLERANCES: EXCEPT AS NOTED	
X .XX ± .10	ØXX ± .10
.XX ± .020	ØXX ± .015
.XXX ± .015	ØXXX ± .010
APPROVALS	DATE
DRAWN	SS
CHECKED	
APPROVED	
	10/13/09

ADAM TECH	
909 Rahway Avenue, Union, NJ 07083	
Phone: 908-687-5000 Fax: 908-687-5710	
TITLE: RECEPTACLE STRIP, 100 SINGLE ROW	
SIDE ENTRY, SMT, SEL GOLD PLATED	
SIZE	PART NO.
X	RS1BR-XX-SG-SMT
REF:	SCALE: NTS
	SHEET 1 OF 1