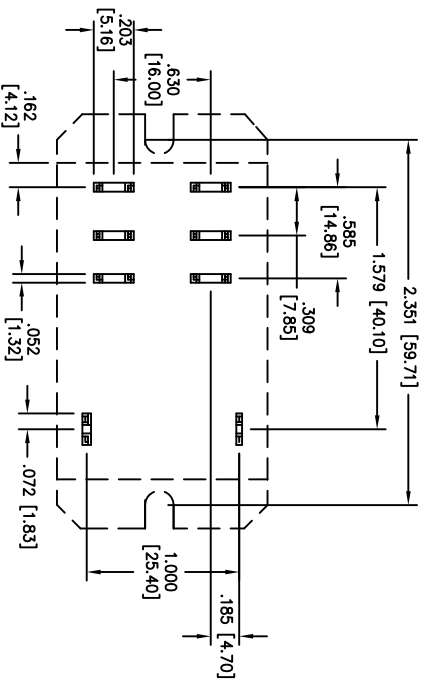
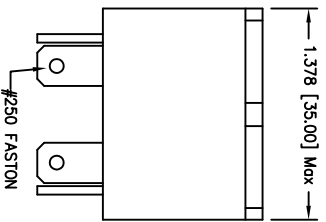
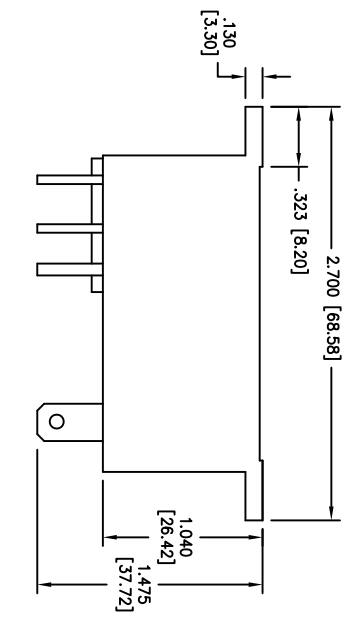
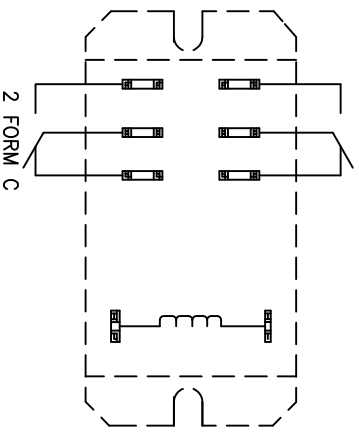


Rev	AWO #	Description	Date	Appr
-	10279	RELEASED	8/04/10	

APPROVED: \_\_\_\_\_  
 DATE: \_\_\_\_\_ TITLE: \_\_\_\_\_



RECOMMENDED MOUNTING HOLES



PART NO.	RATED Voltage	Coil Resistance		Must Operate Voltage	Must Dropout Voltage	Max Voltage	Power Consumption
		50Hz	60Hz				
RMQ-2C-TCQ-24A	24VAC	45Ω	35.7Ω	80 Max.	20 Min.	110	4.0VA Approx
RMQ-2C-TCQ-120A	120VAC	1125Ω	830Ω				
RMQ-2C-TCQ-208A	208VAC	3278Ω	2600Ω				
RMQ-2C-TCQ-220A	220VAC	3800Ω	2870Ω				
RMQ-2C-TCQ-240A	240VAC	4500Ω	3800Ω				
RMQ-2C-TCQ-277A	227VAC	5960Ω	4700Ω				

**SPECIFICATIONS:**

**Electrical:**  
 Contact arrangement: DPDT (2 FORM C)  
 Contact material: Silver Alloy  
 Contact Resistance: 50mΩ Max.  
 Insulation resistance: 1000 MΩ min. @ 500V DC  
 Dielectric Strength:  
 1500VAC(50Hz/min.)Between open contacts  
 4000VAC(50Hz/min.)Between coil and contact  
 2000VAC(50Hz/min.)Between contact set

Operate time (initial): Typical 15ms (25ms Max. with Bounce)  
 Release time (initial): Typical 10ms (25ms max. with Bounce)  
 Electrical Life: 100,000 (at rated load)  
**Mechanical:**  
 Vibration resistance: 1.65mm D.A. 10–55Hz  
 Shock resistance: 10gr. Approx.  
 Mechanical Life: 5,000,000  
 Temperature Range: -55°C to +85°C  
 Environmental:  
 Lead free, RoHS compliant  
 Safety Agency Approvals: cUL Recognized File No. E305638

A

A

**ADAM TECH**

909 Railway Avenue, Union, NJ 07083  
 Phone: 908-687-5000 Fax: 908-687-5710

TITLE: POWER RELAY, 2 FORM C,  
 PANEL MOUNT QUICK CONNECT

UNLESS OTHERWISE SPECIFIED ALL DIMENSIONS ARE INCHES [MM] TOLERANCES: EXCEPT AS NOTED	
INCHES	HOLES
.X ± .10	ØXX ± .10
.XX ± .020	ØXXX ± .015
.XXX ± .015	ØXXXX ± .010
APPROVALS	
DRAWN	DY
CHECKED	
APPROVED	
DATE	8/04/10

SIZE	PART NO.	REV.
X	RPT-2C-TCQ-XA	-
REF:	S00027C	SHEET 1 OF 1

6

5

4

3

2

1

