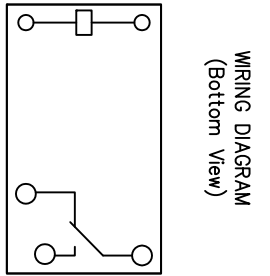
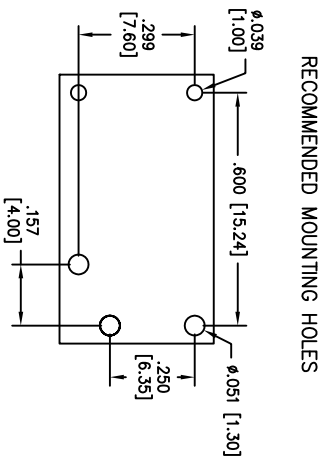
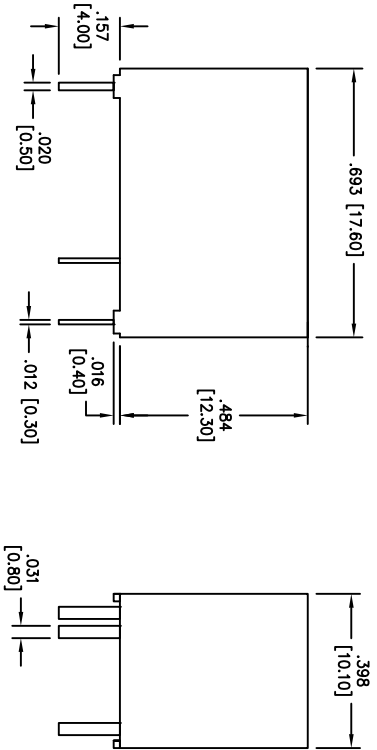


Rev	AWO #	Description	Date	Appr
-		RELEASED	9/10/10	

APPROVED: \_\_\_\_\_  
 DATE: \_\_\_\_\_ TITLE: \_\_\_\_\_



PART NO.	Rated Voltage	Rated Current	Coil Resistance	Must Operate Voltage	Must Dropout Voltage	Max Voltage	Power Consumption
RPN-N3-1C-P-3	3VDC	150mA	20Ω				
RPN-N3-1C-P-5	5VDC	91mA	55Ω				
RPN-N3-1C-P-6	6VDC	75mA	80Ω				
RPN-N3-1C-P-9	9VDC	50mA	180Ω	75 Max.	5 Min.	130	0.45W Approx
RPN-N3-1C-P-12	12VDC	37.5mA	320Ω				
RPN-N3-1C-P-24	24VDC	18.8mA	1280Ω				
RPN-N3-1C-P-48	48VDC	9.4mA	5100Ω				

**SPECIFICATIONS:**  
**Electrical:**  
 Contact arrangement: SPDT (1FormC)  
 Contact material: Silver Alloy  
 Contact Rating (Resistive load): 3A 250VAC/30VDC  
 Contact resistance: 100 mΩ max. Initial  
 Insulation resistance: 100 MΩ min. @ 500V DC  
 Dielectric Strength:  
 Between contact: 1000VAC (50Hz/min)  
 Between Coil & Contact: 5000VAC (50Hz/min)  
 Operating time: 8ms max. Release time: 5ms max.  
 Electrical Life: 100,000

**Mechanical:**  
 Vibration resistance (Endurance): 1.5mm D.A. 10-55Hz  
 Shock resistance: 10g min.  
 Mechanical Life: 10,000,000  
 Temperature Rating: Ambient temperature: -40°C to +85°C  
**Environmental:**  
 Lead free, RoHS compliant  
 Recommended soldering temp: 235°C for 5 sec.  
 Packaging: Anti-ESD plastic trays  
 Safety Agency Approvals: cUL Recognized File No. E305638

UNLESS OTHERWISE SPECIFIED  
 ALL DIMENSIONS ARE INCHES [MM]  
 TOLERANCES: EXCEPT AS NOTED  
 INCHES: .X ±.10 ØXX ±.10  
 .XX ±.020 ØXXX ±.015  
 .XXX ±.015 ØXXXX ±.010

**ADAM TECH**  
 909 Rahway Avenue, Union, NJ 07083  
 Phone: 908-687-5000 Fax: 908-687-5710

APPROVALS	DATE
DRAWN	DY
CHECKED	
APPROVED	

SIZE	PART NO.	REV.
X	RPN-N3-1C-P-X	-

REF: S00027C SCALE: NTS SHEET 1 OF 1

