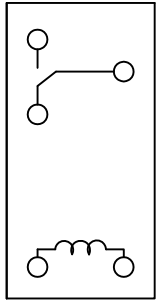
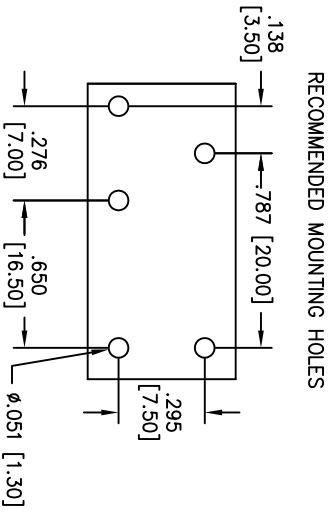
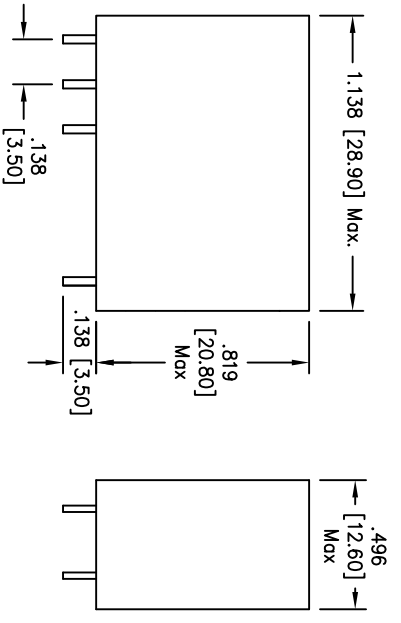


Rev	AWO #	Description	Date	Appr
-		RELEASED	3/10/11	

APPROVED: \_\_\_\_\_  
 DATE: \_\_\_\_\_ TITLE: \_\_\_\_\_



RECOMMENDED MOUNTING HOLES  
 WIRING DIAGRAM  
 (Bottom View)

1 FORM C

PART NO.	RPM-1C-P-5
Rated Current (mA)	106mA
Rated Voltage (V DC)	5VDC
Power consumption (W)	0.54W
Maximum voltage	130 Max.
Must Drop-out Voltage	10 Min.
Must Operate Voltage	80 Max.
Coil Resistance	47Ω

**SPECIFICATIONS:**

**Electrical:**

Contact arrangement: SPDT (1FormC)  
 Contact material: Silver Alloy  
 Switching Voltage: AC250V/DC125V AC Max.  
 Contact resistance: 50mΩ max. @ 1A 6VDC  
 Insulation resistance: 1000 MΩ min. @ 500V DC  
 Dielectric Strength:  
 Between open contact: 1000VAC (50Hz/min)  
 Between Coil & Contact: 5000VAC (50Hz/min)  
 Operating time: 15ms max. Release time: 8ms max.  
 Electrical Life: 100,000

**Mechanical:**

Mechanical Life: 10,000,000  
 Temperature Rating: Ambient temperature: -40°C to +70°C

**Environmental:**

Lead free, RoHS compliant  
 Recommended soldering temp: 235°C for 5 sec.  
 Packaging: Anti-ESD plastic trays  
 Safety Agency Approvals: cUL Recognized File No. E305638



APPROVALS		DATE
DRAWN	DY	3/10/11
CHECKED		
APPROVED		

**ADAM TECH**  
 909 Rahway Avenue, Union, NJ 07083  
 Phone: 908-687-5000 Fax: 908-687-5710

TITLE: POWER RELAY, 5VDC, 1 FORM C, PCB

SIZE	PART NO.	REV.
X	RPM-1C-P-5	-

REF: S0027C SCALE: NTS SHEET 1 OF 1