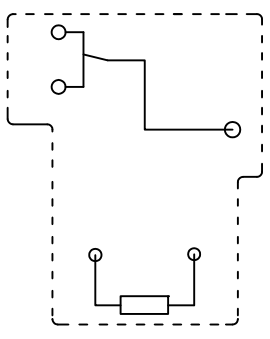
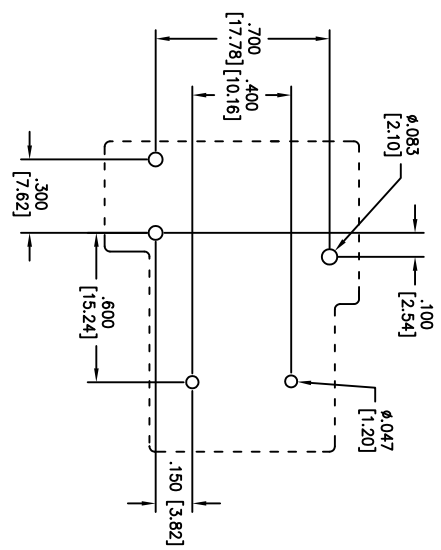
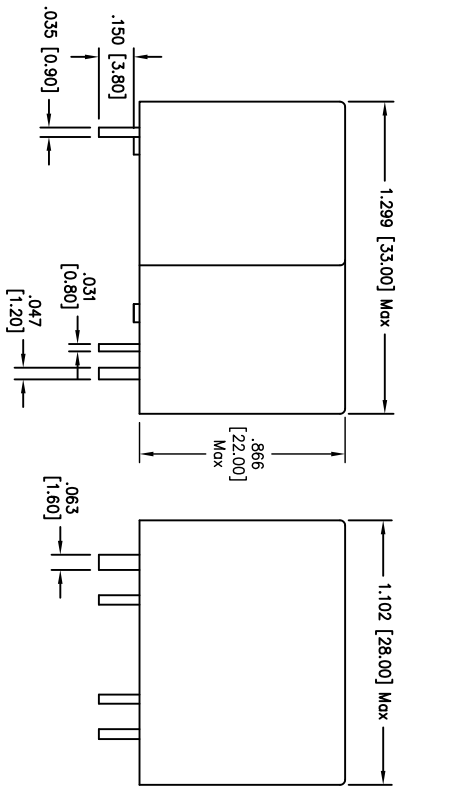


Rev	AWO #	Description	Date	Appr
-		RELEASED	7/13/10	

APPROVED: _____ TITLE: _____
 DATE: _____



PART NO.	RPL-1C-P-48
Coil Rated Voltage	48VDC
Coil Rated Current	18.7mA
Pick-up Voltage	36VDC
Drop-out Voltage	4.8VDC
Coil Resistance	2560Ω

SPECIFICATIONS:

Electrical:

Contact arrangement: 1Z(SPDT)
 Contact material: Ag Alloy
 Contact Rating (Resistive load): 30A @ 250V AC 30A @ 30V DC
 Max. Switching Voltage: 250V AC / 30V DC
 Max. Operating Power: 7500VA
 Contact resistance: 100 mΩ max. Initial
 Insulation resistance: 100 MΩ min. @ 500V DC
 Dielectric withstanding voltage:
 Between Coil & Contact: 2000V AC 50/60HZ for 1 min.
 Between Contacts: 1500V AC 50/60HZ for 1 min.
 Operating time: 15ms max. Release time: 10ms max.
 Electrical Life: 100,000 Operations (at rated load)

Mechanical:

Vibration resistance (Endurance): 1.5mm D.A. 10-55HZ
 Shock resistance: 10G min.
 Mechanical Life: 10,000,000 Operations (no load)
 Terminal Strength: 500Gr. for 1 minute at horizontal direction
 Temperature Rating: Ambient temperature: -55°C to +85°C
 Environmental:
 Lead free, RoHS compliant

Recommended soldering temp: 235°C for 5 sec.
 Packaging: Anti-ESD plastic trays
 Safety Agency Approvals: cUL Recognized File No. E305638

UNLESS OTHERWISE SPECIFIED
 ALL DIMENSIONS ARE INCHES [MM]
 TOLERANCES: EXCEPT AS NOTED

INCHES	HOLES
.X ± .10	ØX ± .10
.XX ± .020	ØXX ± .015
.XXX ± .015	ØXXX ± .010

APPROVALS	DATE
DRAWN DY	7/13/10
CHECKED	
APPROVED	

ADAM TECH
 909 Rahway Avenue, Union, NJ 07083
 Phone: 908-687-5000 Fax: 908-687-5710

TITLE	SIZE	PART NO.	REV.
MINIATURE SIGNAL RELAY, 48VDC COILS, 1Z, PCB PINS	X	RPL-1C-P-48	-

REF: S00006C SCALE: NTS SHEET 1 OF 1