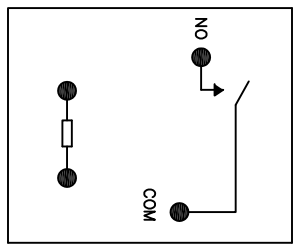
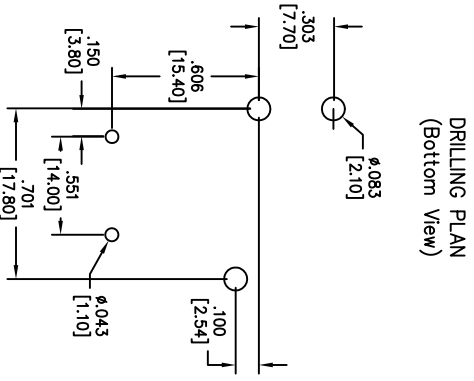
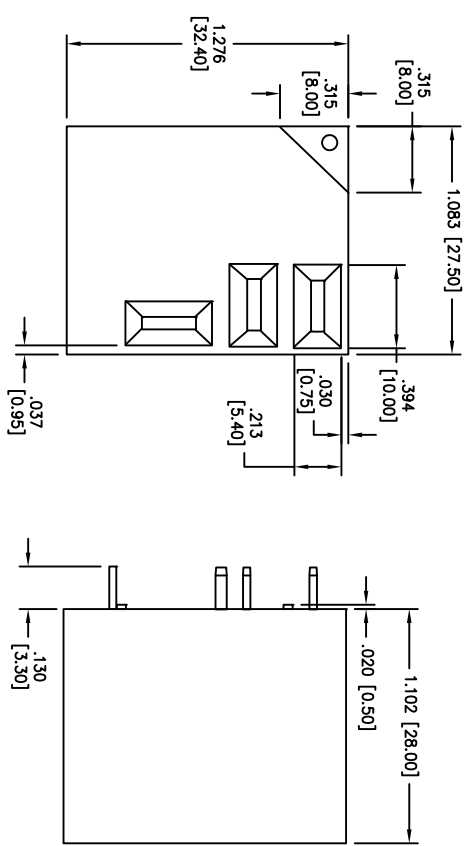


Rev	AWO #	Description	Date	Appr
-		RELEASED	7/23/10	

APPROVED: _____
 DATE: _____ TITLE: _____



PART NO.	Nominal Voltage	Pick-up Voltage	Drop-out Voltage	Coil Current	Coil Resistance	Coil Power
RPL-1A-TCN-3-1	3VDC	2.25VDC	0.3VDC	3.9mA	10Ω	0.9W
RPL-1A-TCN-5-1	5VDC	3.75VDC	0.5VDC	6.5mA	28Ω	0.9W
RPL-1A-TCN-6-1	6VDC	4.50VDC	0.6VDC	7.8mA	40Ω	0.9W
RPL-1A-TCN-9-1	9VDC	6.75VDC	0.9VDC	11.7mA	90Ω	0.9W
RPL-1A-TCN-12-1	12VDC	9.00VDC	1.2VDC	15.6mA	160Ω	0.9W
RPL-1A-TCN-15-1	15VDC	10.25VDC	1.5VDC	19.5mA	250Ω	0.9W
RPL-1A-TCN-18-1	18VDC	13.50VDC	1.8VDC	23.4mA	350Ω	0.9W
RPL-1A-TCN-24-1	24VDC	18.00VDC	2.4VDC	31.2mA	640Ω	0.9W
RPL-1A-TCN-48-1	48VDC	36.00VDC	4.8VDC	62.4mA	2560Ω	0.9W
RPL-1A-TCN-110-1	110VDC	82.50VDC	110.0VDC	143mA	13445Ω	0.9W

ADAM TECH

909 Rahway Avenue, Union, NJ 07083
 Phone: 908-687-5000 Fax: 908-687-5710

TITLE: POWER RELAY, 1 FORM A, TOP CONTACT, PCB MOUNT

UNLESS OTHERWISE SPECIFIED
 ALL DIMENSIONS ARE INCHES [MM]
 TOLERANCES: EXCEPT AS NOTED
 INCHES HOLES ±.10
 .X ±.10 ØXX ±.10
 .XX ±.020 ØXXX ±.015
 .XXX ±.015 ØXXXX ±.010

APPROVALS	DATE
DRAWN DY	7/23/10
CHECKED	
APPROVED	

SIZE	PART NO.	REV.
X	RPL-1A-TCN-X-1	-
REF:	S00049C	
SCALE:	NTS	
SHEET:	1 OF 1	

SPECIFICATIONS:

Electrical:
 Contact arrangement: 1A
 Contact material: AgCdO, AgSnO, AgSnO In2O
 Max. Switching Voltage: 277VAC, 110VDC
 Max. Switching Current: 40A
 Contact resistance: 30 mΩ max. Initial
 Insulation resistance: 1000 MΩ min. @ 500V DC
 Dielectric withstanding voltage:
 Between Coil & Contact: 50Hz 2500V 4000V
 Between open contact: 50Hz 1500V
 Operating time: 15ms Release time: 10ms
 Electrical Life: 100,000

Mechanical:
 Vibration resistance (Endurance): 1.5mm D.A. 10-55HZ
 Mechanical Life: 10,000,000
 Temperature Rating:
 Ambient temperature: DC: -55°C to +85°C
 AC: -55°C to +60°C

Environmental:
 Lead free, RoHS compliant
 Recommended soldering temp: 235°C for 5 sec.
 Packaging: Anti-ESD plastic trays
 Safety Agency Approvals: cUL Recognized File No. E305638