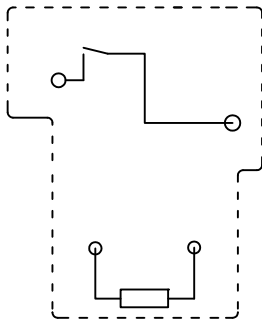
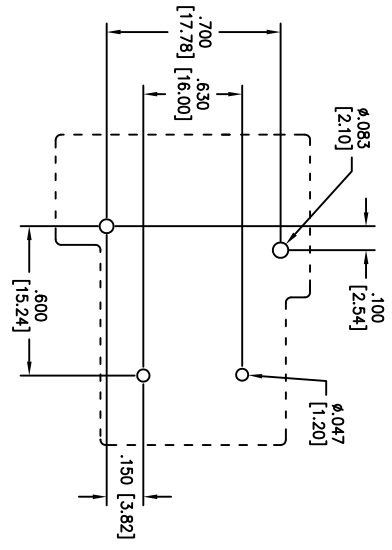
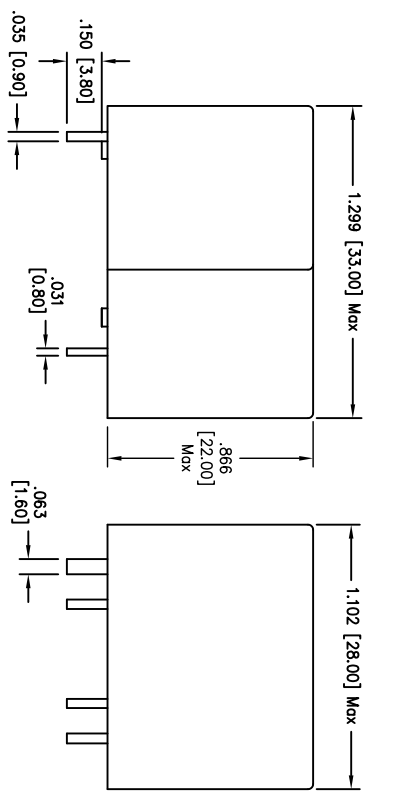


Rev	AWO #	Description	Date	Appr
-		RELEASED	7/12/11	

APPROVED: _____
 DATE: _____ TITLE: _____



PART NO.	RPL-1A-P-24
Coil Rated Voltage	24VDC
Coil Rated Current	37.5mA
Pick-up Voltage	18VDC
Drop-out Voltage	2.4VDC
Coil Resistance	640Ω

SPECIFICATIONS:

Electrical:

Contact arrangement: 1H
 Contact material: Ag Alloy
 Contact Rating (Resistive load): 30A @ 250V AC 30A @ 30V DC
 Max. Switching Voltage: 250V AC / 30V DC
 Max. Operating Power: 7500VA
 Contact resistance: 50 mΩ max. Initial
 Insulation resistance: 100 MΩ min. @ 500V DC
 Dielectric withstanding voltage:
 Between Coil & Contact: 1800V AC 50/60HZ for 1 min.
 Between Contacts: 1200V AC 50/60HZ for 1 min.
 Operating time: 15ms max. Release time: 10ms max.
 Electrical Life: 100,000 Operations (at rated load)

Mechanical:

Vibration resistance (Endurance): 1.5mm D.A. 10-55HZ
 Shock resistance: 10G min.
 Mechanical Life: 10,000,000 Operations (no load)
 Terminal Strength: 500gr. for 1 minute at horizontal direction
 Temperature Rating: Ambient temperature: -55°C to +85°C

Environmental:
 Lead free, RoHS compliant
 Recommended soldering temp: 235°C for 5 sec.
 Packaging: Anti-ESD plastic trays
 Safety Agency Approvals: cUL Recognized File No. E305638

6 5 4 3 2 1

UNLESS OTHERWISE SPECIFIED
 ALL DIMENSIONS ARE INCHES [MM]
 TOLERANCES: EXCEPT AS NOTED

INCHES	HOLES
.X ± .10	ØX ± .10
.XX ± .020	ØXXX ± .015
.XXX ± .015	ØXXXX ± .010

APPROVALS

DATE	DATE
7/12/11	

DRAWN: DY
 CHECKED:
 APPROVED:

ADAM TECH
 909 Ratway Avenue, Union, NJ 07083
 Phone: 908-687-5000 Fax: 908-687-5710

TITLE	MINIATURE SIGNAL RELAY, 24VDC COILS, 1H, PCB PINS
909 Ratway Avenue, Union, NJ 07083	
Phone: 908-687-5000 Fax: 908-687-5710	
SIZE	PART NO.
X	RPL-1A-P-24
REF: S00008C	SCALE: NTS
SHEET 1 OF 1	REV: -

