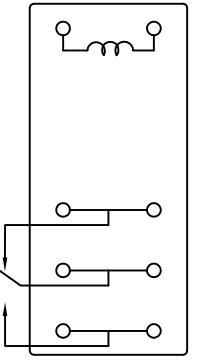
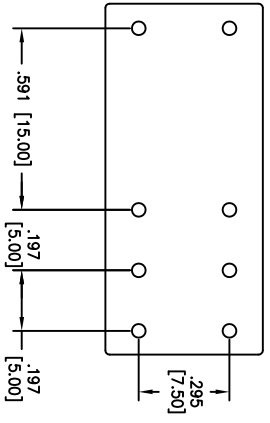
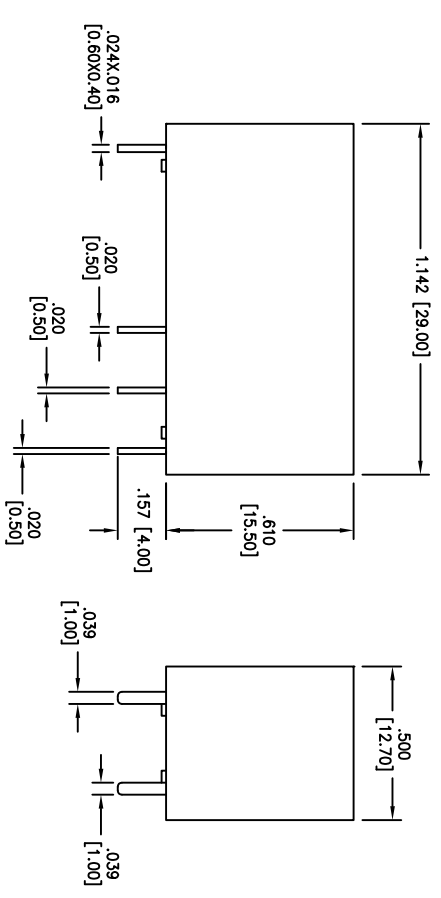


Rev	AWO #	Description	Date	Appr
-		RELEASED	8/23/10	

APPROVED: _____ TITLE: _____
 DATE: _____



PART NO.	RPG-1Z-P-5-16L
Coil Rated Voltage	5VDC
Coil Rated Current	193mA
Pick-up Voltage	9VDC
Drop-out Voltage	1.2VDC
Coil Resistance	62Ω

SPECIFICATIONS:

Electrical:

- Contact arrangement: 1Z
- Contact material: Ag Alloy
- Contact Rating (Resistive load): 16A @ 250V AC 16A @ 30V DC
- Max. Switching Voltage: 250V AC / 30V DC
- Max. Operating Power: 4000VA
- Contact resistance: 50 mΩ max. Initial
- Insulation resistance: 1000 MΩ min. @ 500V DC
- Dielectric withstanding voltage:
 - Between Coil & Contact: 5000V AC 50/60HZ for 1 min.
 - Between Contacts: 1000V AC 50/60HZ for 1 min.
- Operating time: 15ms max. Release time: 10ms max.
- Electrical Life: 100,000 Operations (at rated load)

Mechanical:

- Vibration resistance (Endurance): 1.5mm D.A. 10-55HZ
- Shock resistance: 10G min.
- Mechanical Life: 10,000,000 Operations (no load)
- Terminal Strength: 500gr. for 1 minute at horizontal direction
- Temperature Rating: Ambient temperature: -40°C to +85°C

Environmental:

- Lead free, RoHS compliant
- Recommended soldering temp: 235°C for 5 sec.
- Packaging: Anti-ESD plastic trays
- Safety Agency Approvals: cUL Recognized File No. E305638

6 5 4 3 2 1

UNLESS OTHERWISE SPECIFIED
 ALL DIMENSIONS ARE INCHES [MM]
 TOLERANCES: EXCEPT AS NOTED
 INCHES HOLES

.X	± .10	ØXX	± .10
.XX	± .020	ØXXX	± .015
.XXX	± .015	ØXXXX	± .010

APPROVALS

DRAWN	DY	DATE	8/23/10
CHECKED			
APPROVED			

ADAM TECH
 909 Ratway Avenue, Union, NJ 07083
 Phone: 908-687-5000 Fax: 908-687-5710

TITLE: POWER RELAY, 5VDC, 1Z, PCB

SIZE	PART NO.	REV.
X	RPG-1Z-P-5-16L	-

REF: S00006C SCALE: NTS SHEET 1 OF 1

