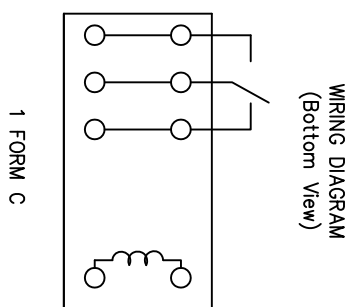
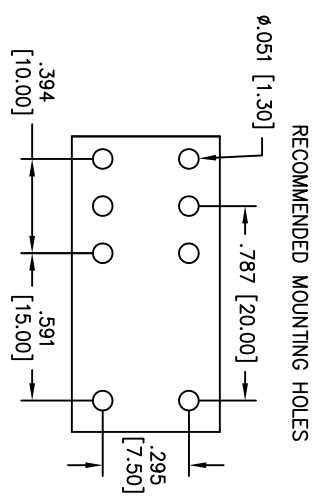
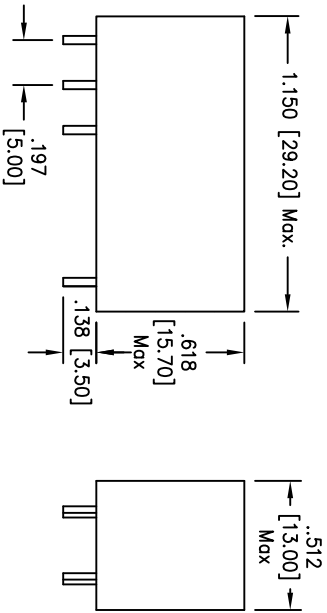


Rev	AWO #	Description	Date	Appr
-		RELEASED	1/19/11	

APPROVED: \_\_\_\_\_  
 DATE: \_\_\_\_\_ TITLE: \_\_\_\_\_



**SPECIFICATIONS:**

**Electrical:**

Contact arrangement: SPDT (1FormC)  
 Contact material: Silver Alloy  
 Contact Rating (Resistive load): 16A 250VAC  
 Switching Voltage: 440V AC Max.  
 Contact resistance: 100 mΩ max. @ 1A 6VDC  
 Insulation resistance: 1000 MΩ min. @ 500V DC  
 Dielectric Strength:  
 Between open contact: 1000VAC (50Hz/min)  
 Between Coil & Contact: 5000VAC (50Hz/min)  
 Operating time: 15ms max. Release time: 8ms max.  
 Electrical Life: 100,000

**Mechanical:**

Vibration resistance (Endurance): 10g/5g, 10-150Hz  
 Mechanical Life: 10,000,000  
 Temperature Rating: Ambient temperature: -40°C to +85°C

**Environmental:**

Lead free, RoHS compliant  
 Recommended soldering temp: 235°C for 5 sec.  
 Packaging: Anti-ESD plastic trays  
 Safety Agency Approvals: cUL Recognized File No. E305638

PART NO.	RPC-1C-48-S
Rated Voltage (V DC)	48VDC
Power consumption (W)	0.41W
Maximum voltage	150 Max.
Must Drop-out Voltage	10 Min.
Must Operate Voltage	70 Max.
Coil Resistance	57600±15%

UNLESS OTHERWISE SPECIFIED  
 ALL DIMENSIONS ARE INCHES [MM]  
 TOLERANCES: EXCEPT AS NOTED

INCHES	HOLES
.X ± .10	ØX ± .10
.XX ± .020	ØXX ± .015
.XXX ± .015	ØXXX ± .010

APPROVALS

DATE	DATE
AY	1/19/11

**ADAM TECH**  
 909 Rahway Avenue, Union, NJ 07083  
 Phone: 908-687-5000 Fax: 908-687-5710

TITLE  
 RELAY, 48VDC, AGSNO2, 1C, SEALED, 5MM PITCH

DRAWN	AY	DATE	1/19/11
CHECKED	SC		1/19/11
APPROVED			

SIZE	PART NO.	SCALE	SHEET	REV.
X	RPC-1C-48-S	NIS	1 OF 1	-

