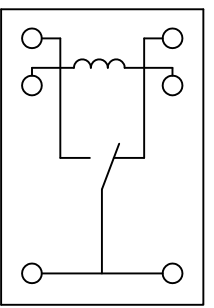
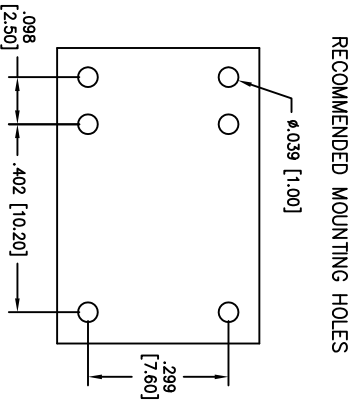
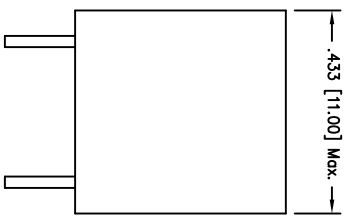
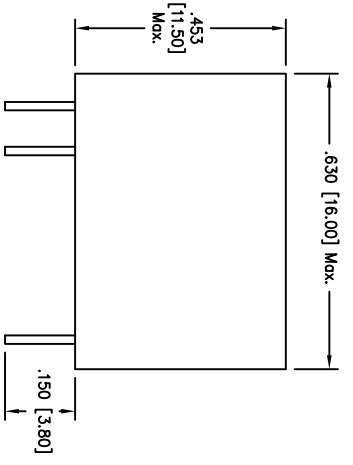


Rev	AWO #	Description	Date	Appr
-		RELEASED	9/15/09	

APPROVED: \_\_\_\_\_ TITLE: \_\_\_\_\_  
 DATE: \_\_\_\_\_



PART NO.	RPA-5A-1C-12-A
Rated Voltage (V DC)	12VDC
Power consumption (W)	0.45W
Maximum voltage	110 Max.
Must Drop-out Voltage	10 Min.
Must Operate Voltage	75 Max.
Coil Resistance	320Ω

**SPECIFICATIONS:**  
**Electrical:**  
 Contact arrangement: SPDT (1FormC)  
 Contact material: Silver Alloy (Gold Flash)  
 Contact Rating (Resistive load): 5A 125VAC/30V DC  
 Max. Switching Voltage: 220V AC / 60V DC  
 Contact resistance: 50 mΩ max. Initial  
 Insulation resistance: 100 MΩ min. @ 500V DC  
 Dielectric Strength:  
 Between open contact: 500VAC (50Hz/min)  
 Between Coil & Contact: 500VAC (50Hz/min)  
 Operating time: 5ms max. Release time: 5ms max.  
 Electrical Life: 100,000  
**Mechanical:**  
 Vibration resistance (Endurance): 1.5mm D.A. 10-55HZ  
 Shock resistance: 10g Approx.  
 Mechanical Life: 10,000,000  
**Temperature Rating:** Ambient temperature: -25°C to +75°C  
**Environmental:**  
 Lead free, RoHS compliant  
 Recommended soldering temp: 235°C for 5 sec.  
 Packaging: Anti-ESD plastic trays  
 Safety Agency Approvals: cUL Recognized File No. E305638

UNLESS OTHERWISE SPECIFIED  
 ALL DIMENSIONS ARE INCHES [MM]  
 TOLERANCES: EXCEPT AS NOTED  
 INCHES:           Holes  
 .X           ± .10           ØXX           ± .10  
 .XX       ± .020       ØXXX       ± .015  
 .XXX     ± .015       ØXXXX     ± .010

APPROVALS	DATE
DRAWN	DY
CHECKED	
APPROVED	

**ADAM TECH**  
 909 Rahway Avenue, Union, NJ 07083  
 Phone: 908-687-5000 Fax: 908-687-5710

TITLE: POWER RELAY, 5A, 12VDC COILS, 1C

6 5 4 3 2 1

SIZE	PART NO.	REV.
X	RPA-5A-1C-12-A	-

REF: S00027C SCALE: NTS SHEET 1 OF 1