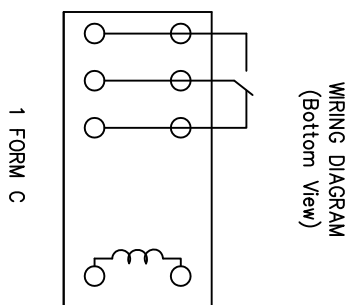
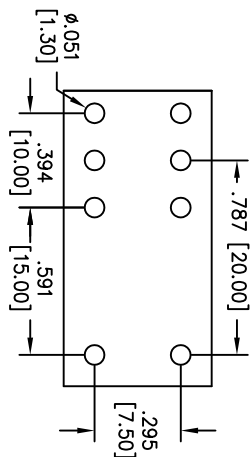
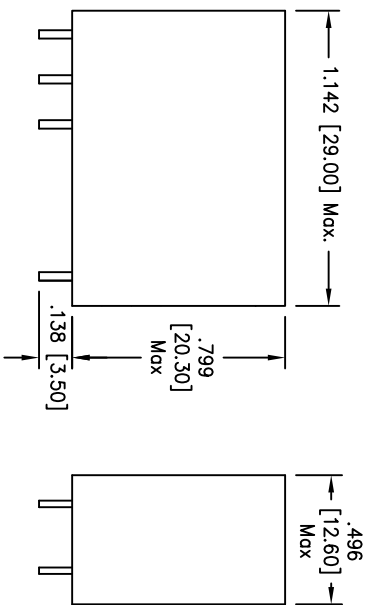


Rev	AWO #	Description	Date	Appr
-		RELEASED	2/25/11	

APPROVED: _____
 DATE: _____ TITLE: _____



PART NO.	RMP-H-1C-P-12-S
Rated Current (mA)	60mA
Rated Voltage (V DC)	12VDC
Power consumption (W)	0.72W
Maximum voltage	130 Max.
Must Drop-out Voltage	10 Min.
Must Operate Voltage	70 Max.
Coil Resistance	200 Ω

SPECIFICATIONS:

Electrical:

Contact arrangement: SPDT (1FormC)
 Contact material: Silver Alloy
 Switching Voltage: AC250V/DC125V AC
 Contact resistance: 100m Ω max. @ 1A 6VDC
 Insulation resistance: 100M Ω min. @ 500V DC
 Dielectric Strength:

Between open contact: 1000VAC (50Hz/min)
 Between Coil & Contact: 5000VAC (50Hz/min)
 Operating time: 15ms max. Release time: 8ms max.
 Electrical Life: 100,000

Mechanical:

Mechanical Life: 10,000,000
 Temperature Rating: Ambient temperature: -30°C to +70°C

Environmental:

Lead free, RoHS compliant
 Recommended soldering temp: 235°C for 5 sec.
 Packaging: Anti-ESD plastic trays
 Safety Agency Approvals: cUL Recognized File No. E305638



UNLESS OTHERWISE SPECIFIED
 ALL DIMENSIONS ARE INCHES [MM]
 TOLERANCES: EXCEPT AS NOTED
 INCHES HOLES
 .X \pm .10 ϕ X \pm .10
 .XX \pm .020 ϕ XXX \pm .015
 .XXX \pm .015 ϕ XXXX \pm .010

ADAM TECH
 909 Rahway Avenue, Union, NJ 07083
 Phone: 908-687-5000 Fax: 908-687-5710

APPROVALS	DATE
DRAWN DY	2/25/11
CHECKED	
APPROVED	

SIZE	PART NO.	REV.
X	RMP-H-1C-P-12-S	-

REF: S00027C SCALE: NTS SHEET 1 OF 1

POWER RELAY, 12VDC, 1 FORM C, PCB, SEALED TYPE