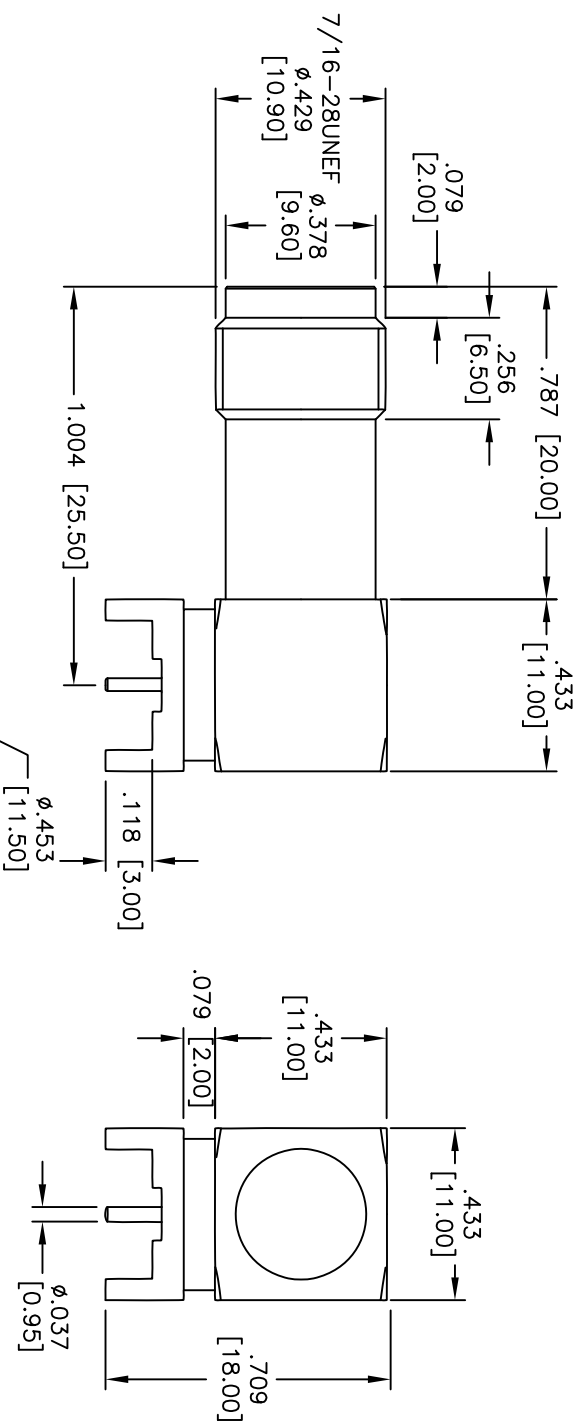
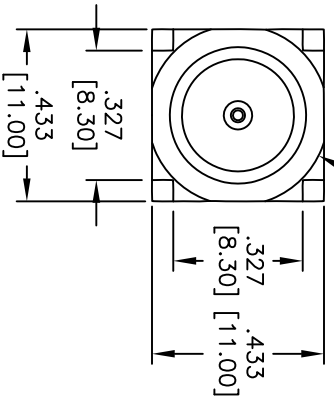


Rev	AWO #	Description	Date	Appr
-	10668	RELEASED	11/05/10	

APPROVED: _____
 DATE: _____ TITLE: _____



DESCRIPTION	MATERIAL	FINISH
PLUG	IRON	NICKEL
WASHER	BRASS	NICKEL
CENTER CONTACT	BRASS	GOLD
CENTER CONTACT	BRASS	GOLD
INSULATOR	TEFLON	NONE
INSULATOR	TEFLON	NONE
BODY	BRASS	TIN
BODY	BRASS	NICKEL
DESCRIPTION	MATERIAL	FINISH



SPECIFICATIONS:

Electrical:
 Nominal Impedance: 75 ohms
 Frequency range: 0-1 GHz
 Working Voltage: 500 VRMS max.
 Dielectric Withstanding Voltage: 1500 VRMS min.
 Contact Resistance: 3 Milliohms max. (Center Contact)
 2 Milliohms max. (Outer Contact)
 Insulator Resistance: 5000 Megohms min.
 Environmental:
 Lead free, RoHS compliant.



UNLESS OTHERWISE SPECIFIED
 ALL DIMENSIONS ARE INCHES [MM]
 TOLERANCES: EXCEPT AS NOTED
 INCHES HOLES
 .X \pm .10 ϕ X \pm .10
 .XX \pm .020 ϕ XXX \pm .015
 .XXX \pm .015 ϕ XXXX \pm .010

ADAM TECH
 909 Rahway Avenue, Union, NJ 07083
 Phone: 908-687-5000 Fax: 908-687-5710

TITLE: TNC FEMALE RIGHT ANGLE PC MOUNT

APPROVALS	DATE
DRAWN	DY
CHECKED	
APPROVED	

SIZE	PART NO.	REV.
X	RF7-21-T-00-75	-

REF: S00049T SCALE: NTS SHEET 1 OF 1

6 5 4 3 2 1