

6

5

4

3

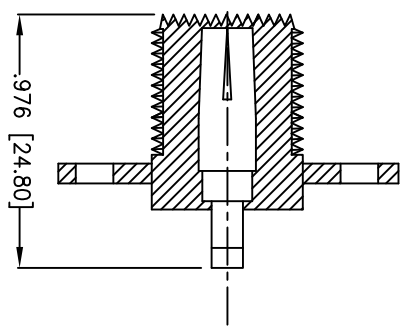
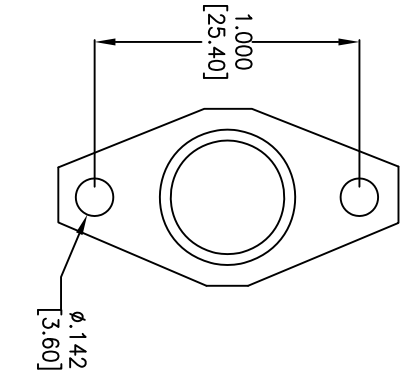
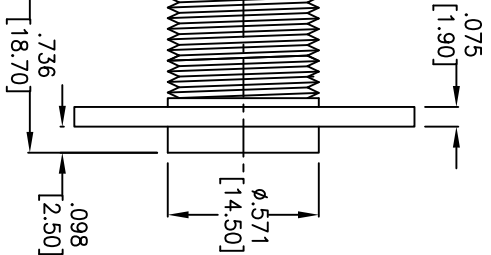
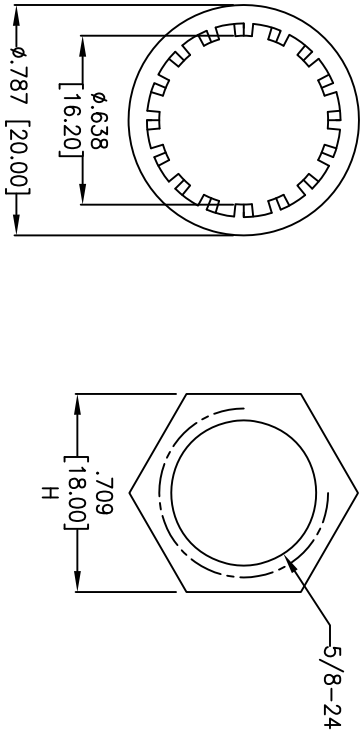
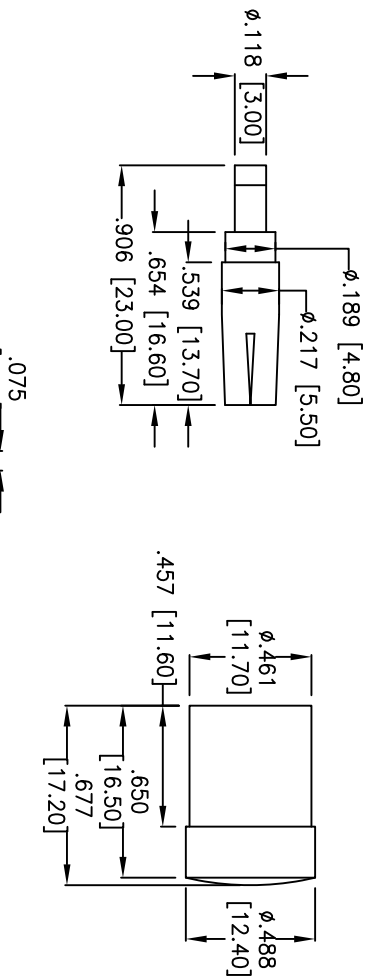
2

1

APPROVED: _____

DATE: _____ TITLE: _____

| Rev | AWO # | Description | Date | Appr |
|-----|-------|-------------------------|----------|------|
| - | 9887 | RELEASED | 3/18/09 | |
| A | 9887 | REVISED FREQUENCY RANGE | 11/02/09 | |
| B | 9887 | REVISED DIM. | 12/28/09 | |
| C | 9887 | REVISED SHAPE | 1/13/10 | |



*Zinc Body, Derlin, Nickel Pin

| BODY | DICASTING | 1 |
|-------------|-----------|-----|
| INSULATOR | DELRI | 1 |
| AXLE CENTER | BRASS | 1 |
| DESCRIPTION | MATERIAL | QTY |

SPECIFICATIONS:

Electrical:

Impedance: 50 ohms

Frequency range: 0-200 MHz

Working Voltage: 500 VRMS max.

Dielectric Withstanding Voltage: 1500 VRMS min.

Contact Resistance: 3 Milliohms max. (Center Contact)
2 Milliohms max. (Outer Contact)

Insulator Resistance: 5000 Megohms min.

Environmental:
Lead free, RoHS compliant.

ADAM TECH

909 Railway Avenue, Union, NJ 07083
Phone: 908-687-5000 Fax: 908-687-5710

UHF CONNECTOR

UNLESS OTHERWISE SPECIFIED
ALL DIMENSIONS ARE INCHES [MM]
TOLERANCES: EXCEPT AS NOTED
INCHES: .X ± .10 Ø.XX ± .015
.XX ± .020 Ø.XXX ± .010
XXX ± .015 Ø.XXXX ± .010

APPROVALS

| APPROVALS | DATE |
|-----------|---------|
| DRAWN DY | 3/18/09 |
| CHECKED | |
| APPROVED | |

| SIZE | PART NO. | REV. |
|------|--------------------|------|
| X | RF6-18-D-00-50-HDW | C |

REF: S0099T SCALE: NTS SHEET 1 OF 1

6

5

4

3

2

1