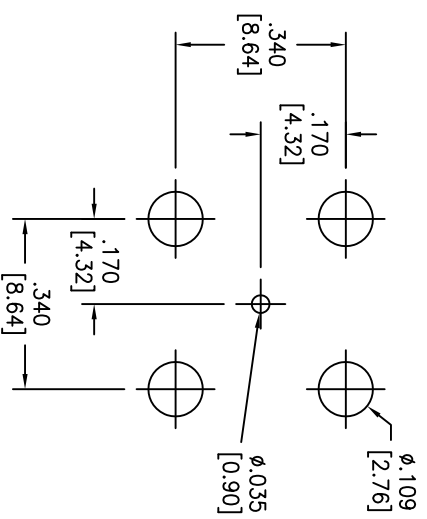


Rev	AWO #	Description	Date	Appr
-		RELEASED	7/26/10	

APPROVED: \_\_\_\_\_  
 DATE: \_\_\_\_\_ TITLE: \_\_\_\_\_

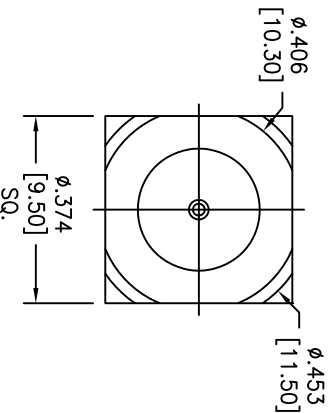
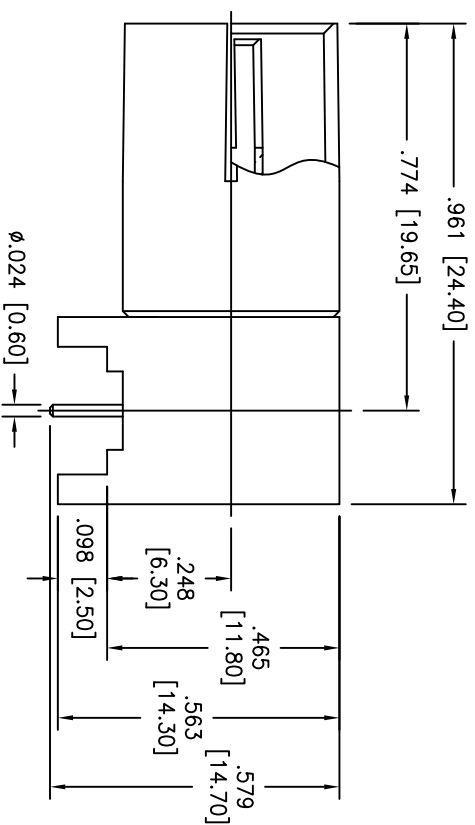


RECOMMENDED PCB LAYOUT

DESCRIPTION	MATERIAL	FINISH
INSULATOR	DELTRIN	WHITE
CUBE BODY	BRASS	NICKEL
CONTACT PIN	BRASS	NICKEL
INSULATOR	DELTRIN	WHITE
BODY	BRASS	NICKEL

**SPECIFICATIONS:**

Electrical:  
 Frequency range: 0-1 GHz  
 Working Voltage: 500 VRMS max.  
 Dielectric Withstanding Voltage: 1500 VRMS min.  
 Contact Resistance: 5 Milliohms max. (Center Contact)  
 2 Milliohms max. (Outer Contact)  
 Insulator Resistance: 5000 Megohms min.  
 Environmental:  
 Lead free, RoHS compliant.



UNLESS OTHERWISE SPECIFIED  
 ALL DIMENSIONS ARE INCHES [MM]  
 TOLERANCES: EXCEPT AS NOTED  
 INCHES  
 .X ± .10  
 .XX ± .020  
 .XXX ± .015  
 Holes  
 Ø.X ± .10  
 Ø.XXX ± .015  
 SQ.

**ADAM TECH**  
 909 Railway Avenue, Union, NJ 07083  
 Phone: 908-687-5000 Fax: 908-687-5710

TITLE: PAL R/A PCB MOUNT JACK

APPROVALS	DATE
DRAWN DY	7/26/10
CHECKED	
APPROVED	

SIZE	PART NO.	REV.
X	RF45-500-5	

REF: S00092T SCALE: NTS SHEET 1 OF 1