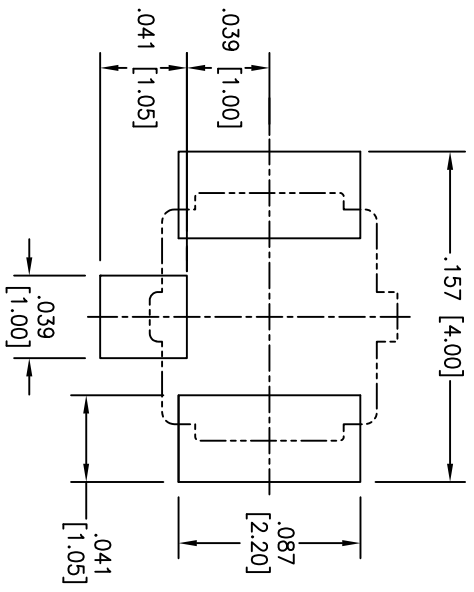
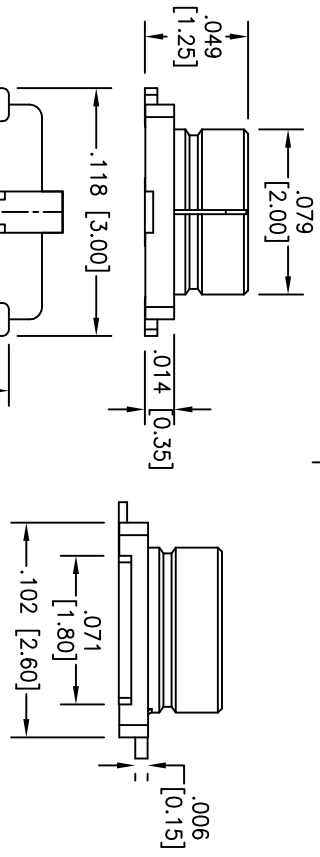
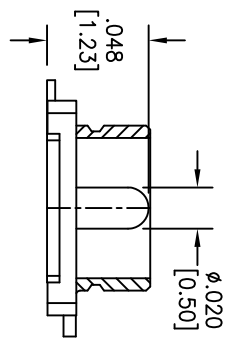
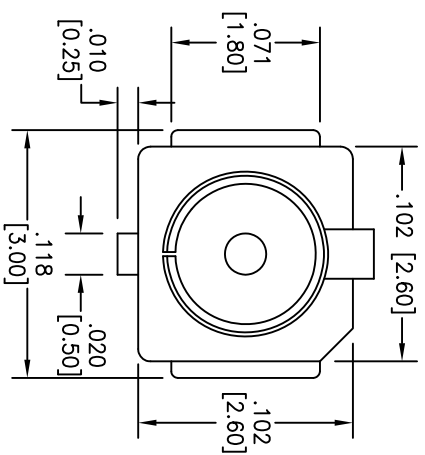


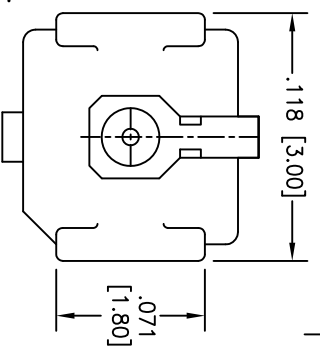
Rev	AWO #	Description	Date	Appr
-		RELEASED	7/07/10	

APPROVED: _____
 DATE: _____ TITLE: _____



RECOMMENDED PCB LAYOUT

PACKAGED ON TAPE & REEL



SPECIFICATIONS:

- Material: Insulator: LCP, rated UL 94V-0
- Insulator color: Ivory
- Contact: Copper Alloy
- Ground Pad: Metal Shell, gold plated
- Plating: Gold flash over Nickel underplate overall.
- Electrical: Impedance: 50 Ohm.
- Frequency rating: 0-6GHz
- VSWR: 1.3Max(0-6GHz)
- Contact resistance: 20m Ohm Max. (Center)
- 20m Ohm Max. (Out, For plug)
- 10m Ohm Max. (Out, For Receptacle)
- Withstanding voltage: 200V AC for one minute.
- Insulation Resistance: 500M ohm min.
- Environmental: Lead free, RoHS compliant.

ADAM TECH

909 Rahway Avenue, Union, NJ 07083
 Phone: 908-687-5000 Fax: 908-687-5710

RF HEADER

UNLESS OTHERWISE SPECIFIED
 ALL DIMENSIONS ARE INCHES [MM]
 TOLERANCES: EXCEPT AS NOTED

INCHES	HOLES
.X ± .10	Ø.X ± .10
.XX ± .020	Ø.XXX ± .015
.XXX ± .015	Ø.XXXX ± .010

APPROVALS

APPROVALS	DATE
DRAWN DY	7/07/10
CHECKED	
APPROVED	

SIZE	PART NO.	REV.
X	RF40-500-2-T/R	

REF: S00181T SCALE: NTS SHEET 1 OF 1



6 5 4 3 2 1