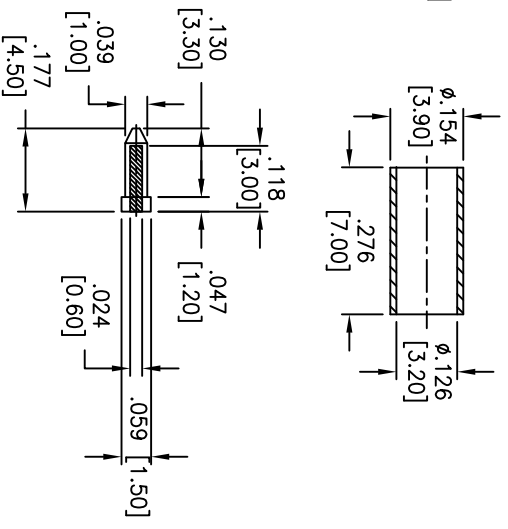
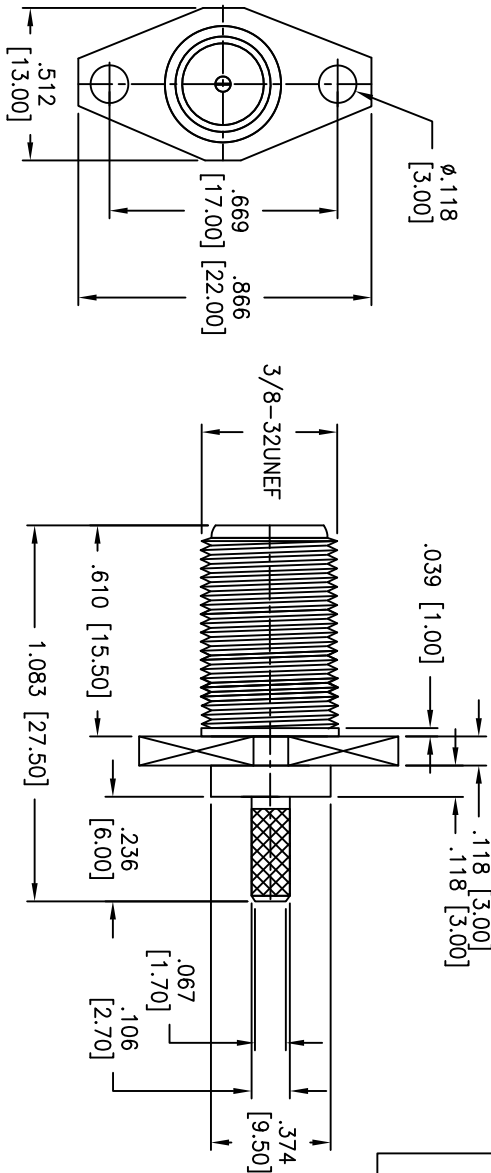
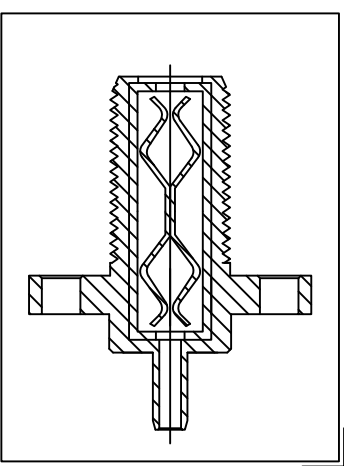


APPROVED: \_\_\_\_\_ TITLE: \_\_\_\_\_  
 DATE: \_\_\_\_\_

Rev	AWO #	Description	Date	Appr
-		RELEASED	11/18/10	
A		CHANGE FERRULE TO 7.00MM	12/15/10	



PIN	STELL	NICKEL
FERRULE	BRASS	NICKEL
INSULATOR	P.P	NONE
BODY	BRASS	NICKEL
DESCRIPTION	MATERIAL	FINISH

**SPECIFICATIONS:**

Electrical:  
 Frequency range: 0-2 GHz  
 Working Voltage: 250 VRMS max.  
 Dielectric Withstanding Voltage: 500 VRMS min.  
 Contact Resistance: 5 Milliohms max. (Center Contact)  
 2 Milliohms max. (Outer Contact)  
 Insulator Resistance: 1000 Megohms min.  
 Environmental:  
 Lead free, RoHS compliant.



UNLESS OTHERWISE SPECIFIED  
 ALL DIMENSIONS ARE INCHES. [MM]  
 TOLERANCES: EXCEPT AS NOTED  
 INCHES: .X ± .10 Ø.XX ± .015  
 .XXX ± .020 Ø.XXX ± .010  
 APPROVALS

DRAWN	DATE
DY	11/18/10

CHECKED

APPROVED

**ADAM TECH**  
 909 Rahway Avenue, Union, NJ 07083  
 Phone: 908-687-5000 Fax: 908-687-5710

TITLE: F FEMALE PANEL 2 HOLES CRIMP FOR RG174

SIZE	PART NO.	REV.
X	RF4-500-6	A

REF: S00011T SCALE: NTS SHEET 1 OF 1