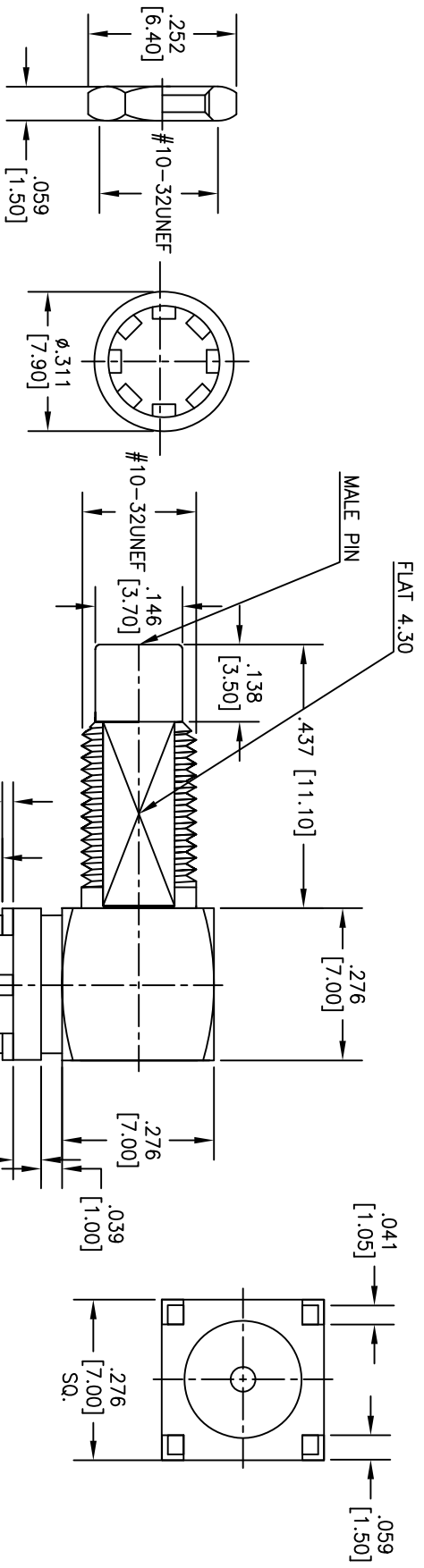
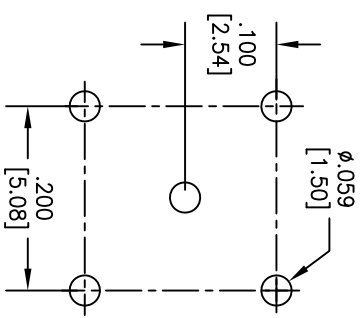


Rev	AWO #	Description	Date	Appr
-	9990	RELEASED	2/02/10	

APPROVED: _____
 DATE: _____ TITLE: _____



DESCRIPTION	MATERIAL	FINISH
BODY	BRASS	GOLD
NUT	BRASS	GOLD
WASHER	STEEL	GOLD
FERRULE	BRASS	GOLD
DIELECTRIC	TEFLON	NONE
PIN	BRASS	GOLD
BODY	BRASS	GOLD
DESCRIPTION	MATERIAL	FINISH



ADAM TECH

909 Ratway Avenue, Union, NJ 07083
 Phone: 908-687-5000 Fax: 908-687-5710

SMC FEMALE BKD R/A FOR PCB

UNLESS OTHERWISE SPECIFIED
 ALL DIMENSIONS ARE INCHES [MM]
 TOLERANCES: EXCEPT AS NOTED

INCHES	HOLES
.X ± .10	Ø.X ± .10
.XX ± .020	Ø.XXX ± .015
.XXX ± .015	Ø.XXX ± .010

APPROVALS

DATE	DATE
2/02/10	

DRAWN: DY
 CHECKED: _____
 APPROVED: _____

SIZE	PART NO.	REV.
X	RF36-02-T-00-50-G-HDW	

REF: S0001T SCALE: NTS SHEET 1 OF 1

SPECIFICATIONS:

Electrical:
 Nominal Impedance: 50 ohms
 Frequency range: 0-10 GHz
 Contact Resistance: 6 Milliohms max. (Center Contact)
 2.5 Milliohms max. (Outer Contact)
 Insulator Resistance: 1000 Megohms min.
 Environmental:
 Lead free, RoHS compliant.

