

6

5

4

3

2

1

Rev	AWO #	Description	Date	Appr
-	5766	RELEASED	11/4/05	

APPROVED: _____

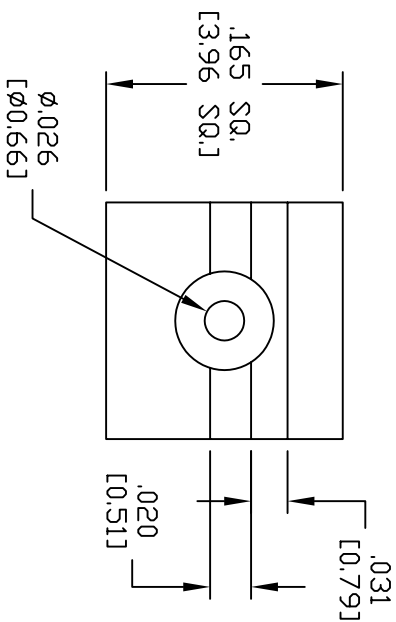
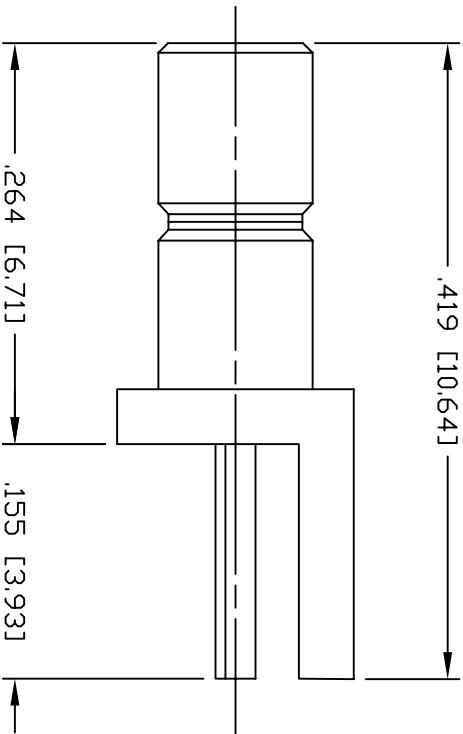
DATE: _____ TITLE: _____

D

C

B

A



SPECIFICATIONS:

Material:

Insulator: Teflon

Body: Brass, Gold plated

Pin: Brass, Gold plated

Electrical:

Nominal Impedance: 50 ohms

Environmental:

Lead free, RoHS compliant.



UNLESS OTHERWISE SPECIFIED
ALL DIMENSIONS ARE INCHES [MM]
TOLERANCES: EXCEPT AS NOTED

INCHES	HOLES
.X ± .10	Ø.X ± .10
.XX ± .020	Ø.XXX ± .015
.XXX ± .015	Ø.XXX ± .010

APPROVALS

DATE
11/4/05

DRAWN	SS
CHECKED	
APPROVED	

ADAM TECH
 909 Rahway Avenue, Union, NJ 07083
 Phone: 908-687-5000 Fax: 908-687-5710

TITLE: **SSMB CONNECTOR**

SIZE	PART NO.	REV.
X	RF26-01-T-00-50-G	-
REF:	SCALE: NTS	SHEET 1 OF 1

6

5

4

3

2

1