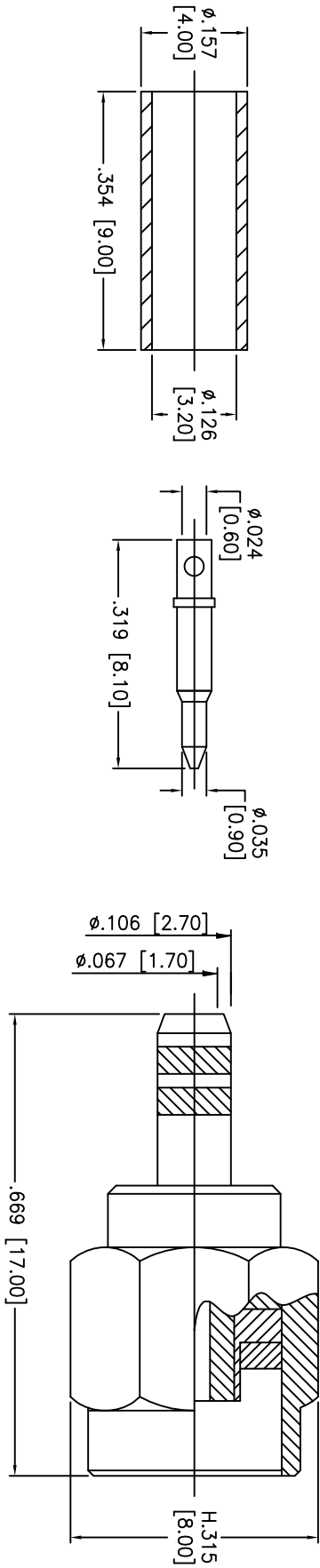


Rev	AWO #	Description	Date	Appr
-	11346	RELEASED	5/12/11	

APPROVED: _____
 DATE: _____ TITLE: _____



FERRULE	BRASS	GOLD
MALE CONTACT	BRASS	GOLD
INNER BODY	BRASS	GOLD
WASHER	BRASS	GOLD
GASKET	SILICONE	NONE
INSULATOR	TEFLON	NONE
CONTACT BODY	BRASS	GOLD
DESCRIPTION	MATERIAL	FINISH

SPECIFICATIONS:

Electrical:
 Frequency range: 0-18 GHz
 Working Voltage: 250 VRMS max.
 Dielectric Withstanding Voltage: 750 VRMS min.
 Contact Resistance: 6 Milliohms max. (Center Contact)
 2 Milliohms max. (Outer Contact)
 Insulator Resistance: 5000 Megohms min.
 Environmental:
 Lead free, RoHS compliant.

ADAM TECH

909 Rahway Avenue, Union, NJ 07083
 Phone: 908-687-5000 Fax: 908-687-5710

SMA MALE CRIMP TYPE RG174/316J

UNLESS OTHERWISE SPECIFIED
 ALL DIMENSIONS ARE INCHES [MM]
 TOLERANCES: EXCEPT AS NOTED
 INCHES Holes
 .X ± .10 Ø.X ± .10
 .XX ± .020 Ø.XXX ± .015
 .XXX ± .015 Ø.XXXX ± .010

APPROVALS		DATE
DRAWN	DY	5/12/11
CHECKED		
APPROVED		

SIZE	PART NO.	REV.
X	RF2-57-T-02-50-G	
REF:	S00064T	
SCALE:	NTS	
SHEET	1 OF 1	

