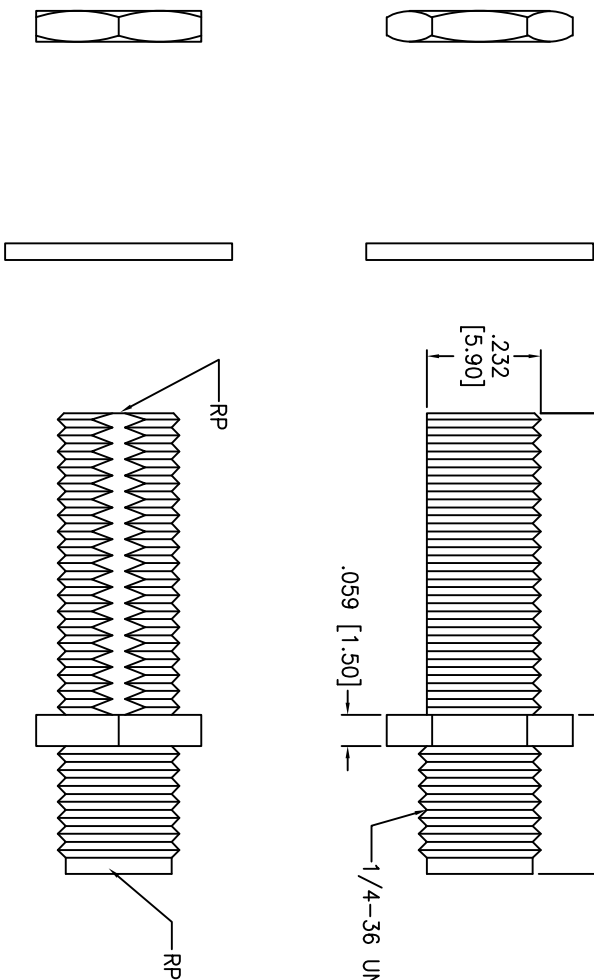
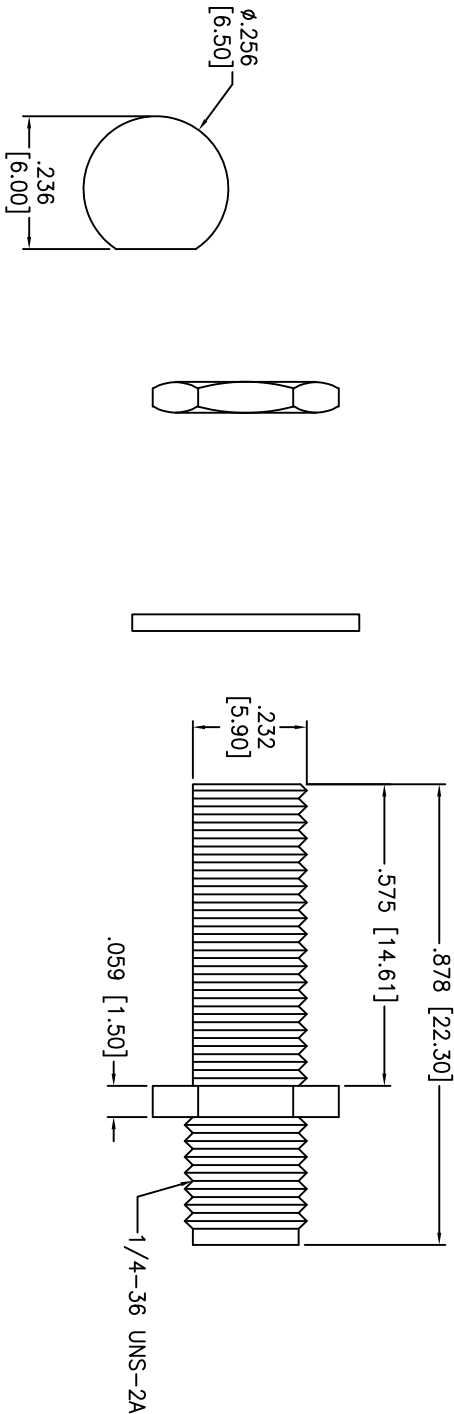


APPROVED: _____
 DATE: _____ TITLE: _____

Rev	AWO #	Description	Date	Appr
-	10561	RELEASED	2/18/11	
A	10561	ADDED DESCRIPTION	4/12/11	



SPECIFICATIONS:

Electrical:
 Frequency range: 0-18 GHz
 Working Voltage: 250 VRMS max.
 Dielectric Withstanding Voltage: 750 VRMS min.
 Contact Resistance: 6 Milliohms max. (Center Contact)
 2 Milliohms max. (Outer Contact)
 Insulator Resistance: 5000 Megohms min.
 Environmental:
 Lead free, RoHS compliant.



UNLESS OTHERWISE SPECIFIED
 ALL DIMENSIONS ARE INCHES [MM]
 TOLERANCES: EXCEPT AS NOTED

INCHES	HOLES
.X ± .10	Ø.X ± .10
.XX ± .020	Ø.XX ± .015
.XXX ± .015	Ø.XXX ± .010

APPROVALS

DATE	DATE
	2/18/11

ADAM TECH
 909 Ratway Avenue, Union, NJ 07083
 Phone: 908-687-5000 Fax: 908-687-5710

SMA CONNECTOR, PURE NICKEL PLATING

DRAWN	DY	DATE
		2/18/11

CHECKED	APPROVED

SIZE	PART NO.	REV.
X	RF2-52-T-AS-50-HDW	A

REF:	SCALE:	SHEET	1 OF 1
S00049T	NTS	1	1