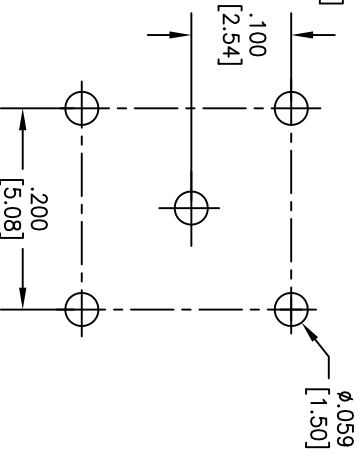
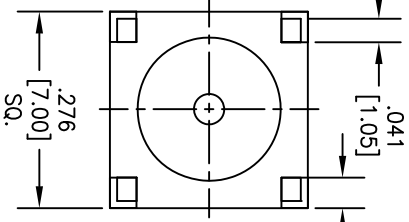
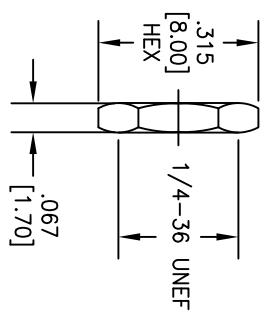
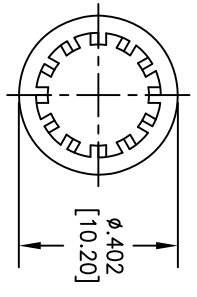
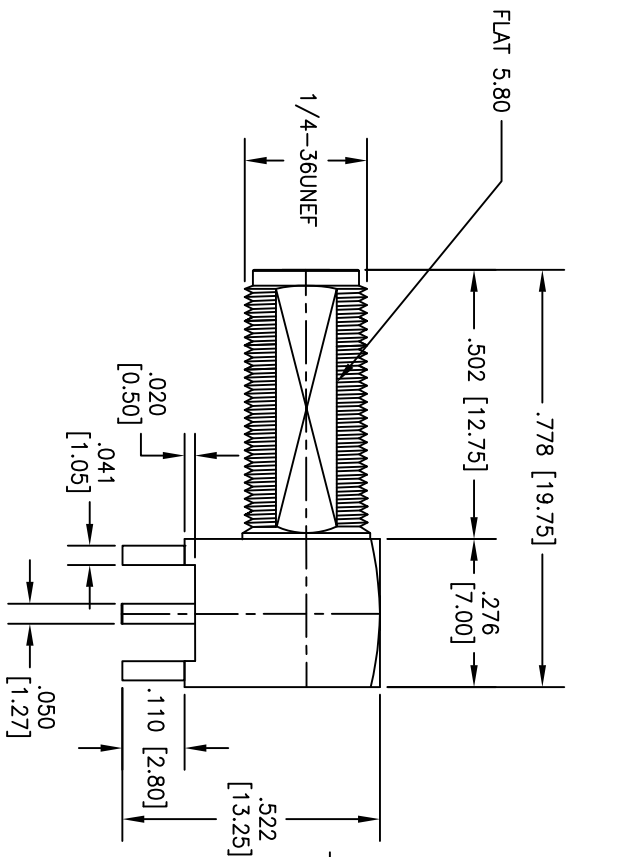


Rev	AWO #	Description	Date	Appr
-	9990	RELEASED	2/02/10	

APPROVED: \_\_\_\_\_  
 DATE: \_\_\_\_\_ TITLE: \_\_\_\_\_



RECOMMENDED HOLE

DESCRIPTION	MATERIAL	FINISH
NUT	BRASS	GOLD
CHASDSIS	BRASS	GOLD
INSULATOR B	TEFLON	NONE
PIN	Be Cu	GOLD
INSULATOR A	TEFLON	NONE
WASHER	BRASS	GOLD
BODY	BRASS	GOLD
DESCRIPTION	MATERIAL	FINISH

**SPECIFICATIONS:**

Electrical:  
 Nominal Impedance: 50 ohms  
 Frequency range: 0-12.4 GHz  
 Working Voltage: 250 VRMS max.  
 Dielectric Withstanding Voltage: 750 VRMS min.  
 Contact Resistance: 6 Milliohms max. (Center Contact)  
 2 Milliohms max. (Outer Contact)  
 Insulator Resistance: 5000 Megohms min.  
 Environmental:  
 Lead free, RoHS compliant.



**ADAM TECH**

909 Rahway Avenue, Union, NJ 07083  
 Phone: 908-687-5000 Fax: 908-687-5710

SMA JACK BKD R/A FOR PCB

UNLESS OTHERWISE SPECIFIED ALL DIMENSIONS ARE INCHES [MM]	
TOLERANCES: EXCEPT AS NOTED	
.X INCHES	Ø:XX ± .10
.XX HOLES	Ø:XXX ± .015
.XXX HOLES	Ø:XXXX ± .010
APPROVALS	DATE
DRAWN	DY
CHECKED	2/02/10
APPROVED	

TITLE	SIZE	PART NO.	REV.
SMA JACK BKD R/A FOR PCB	X	RF249-T-00-50-G-HDW	
REF: S0001T	SCALE: NTS	SHEET 1 OF 1	