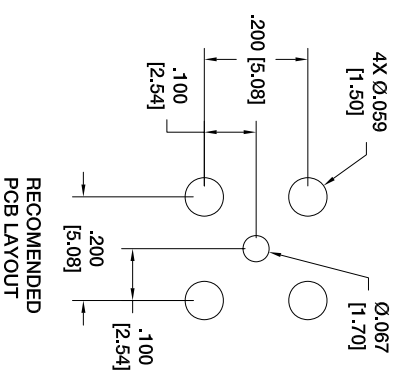
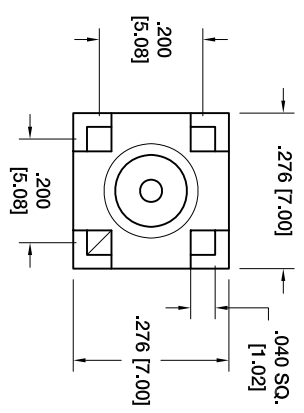
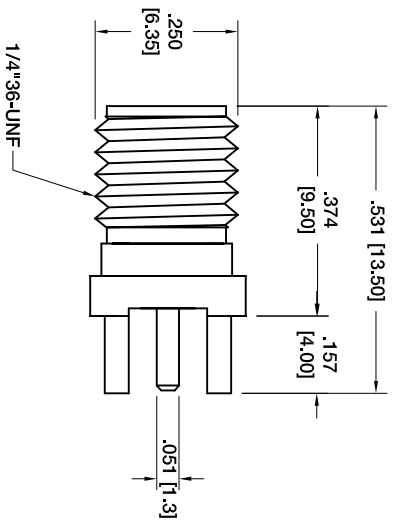


Rev	AWO #	Description	Date	Appr
-		RELEASED	2/9/06	

APPROVED: _____
 DATE: _____ TITLE: _____



NO	DESCRIPTION	MATERIAL	FINISH	QTY
3	DIELECTRIC	TEFLON	WHITE	1
2	PIN	BRASS	GOLD	1
1	BODY	BRASS	GOLD	1

SPECIFICATIONS
 Environmental:
 Lead free, RoHS compliant.



UNLESS OTHERWISE SPECIFIED
 ALL DIMENSIONS ARE MM [INCHES]
 TOLERANCES: EXCEPT AS NOTED
 INCHES: .X ±.10 ØXX ±.015
 .XX ±.020 ØXXX ±.010
 .XXX ±.015
 APPROVALS: _____ DATE: _____

ADAM TECH
 909 Rahway Avenue, Union, NJ 07083
 Phone: 908-687-5000 Fax: 908-687-5710
 TITLE: SMA, STRAIGHT, PCB MOUNT, 50 OHM
 REVERSE POLARITY

DRAWN	SS	2/9/06	SIZE	PART NO.	REV.
CHECKED			X	RF2-29-1-00-50-G	-
APPROVED			REF:	SCALE: NTS	SHEET 1 OF 1

6 5 4 3 2 1

A B C D