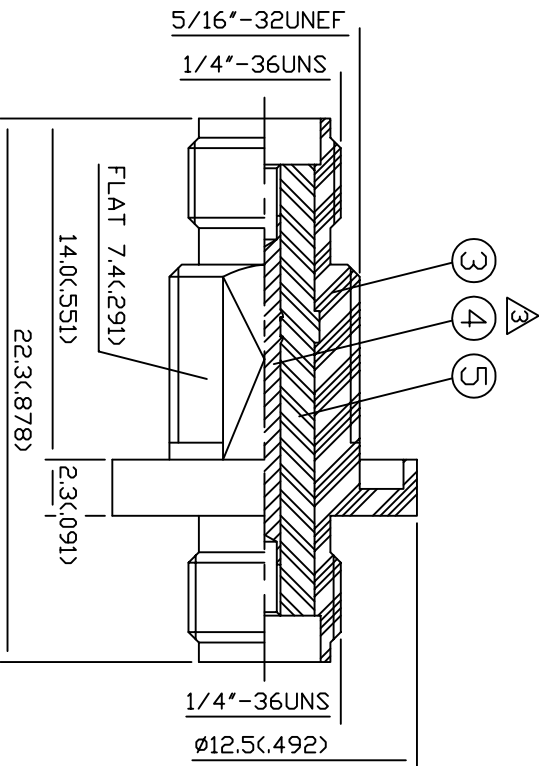
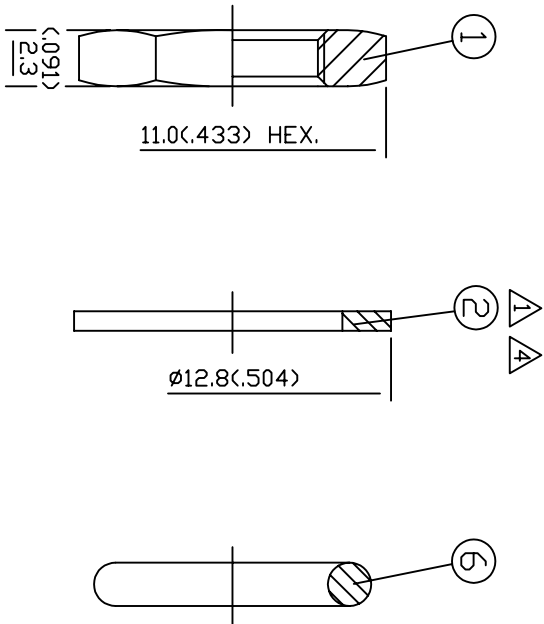


Rev	AWO #	Description	Date	Appr
-		RELEASED	5/27/	SS

APPROVED: _____
 DATE: _____ TITLE: _____



- Notes:
1. Bodies: Brass per JIS-C3604
 2. Center Contact: Beryllium Copper per JIS-C1730B
 3. Insulation: Teflon per ASTM D1457 and ASTM D1710
 4. Connector Interface per MIL-STD-348A
 5. Part to be clean and burr free
 6. Impedance: 50 Ohms

6	O-RING	SILICONE	1	BLACK
5	INSULATION	TEFLON	1	NONE
4	CONTACT CONTACT	Be Cu	1	GOLD 50u"
3	BODY	BRASS	1	GOLD 3u"
2	WASHER	BRASS	1	GOLD
1	NUT	BRASS	1	GOLD
NO.	DESCRIPTION	MATERIAL	Q'TY	FINISH

UNLESS OTHERWISE SPECIFIED
 ALL DIMENSIONS ARE MM [INCHES]
 TOLERANCES: EXCEPT AS NOTED
 INCHES

.X	± .10	ØXX	± .10
.XX	± .020	ØXXX	± .015
.XXX	± .015	ØXXXX	± .010

APPROVALS: _____ DATE: _____

DRAWN: SS 5/27/05
 CHECKED: _____
 APPROVED: _____

ADAM TECH
 909 Rahway Avenue, Union, NJ 07083
 Phone: 908-687-5000 Fax: 908-687-0214

TITLE: SMA JACK, 50 OHMS, BULKHEAD MOUNT

SIZE	PART NO.	REV.
X	RF2-26-T-XX-50	-
REF:	SCALE: NTS	SHEET 1 OF 1