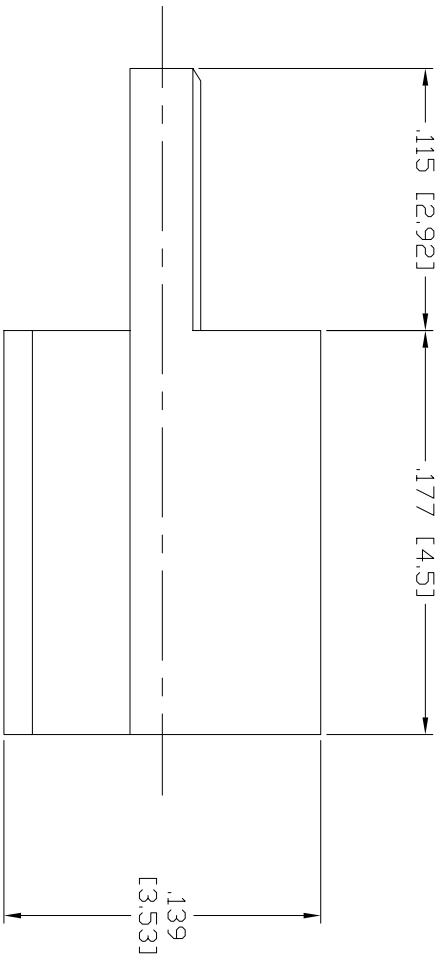
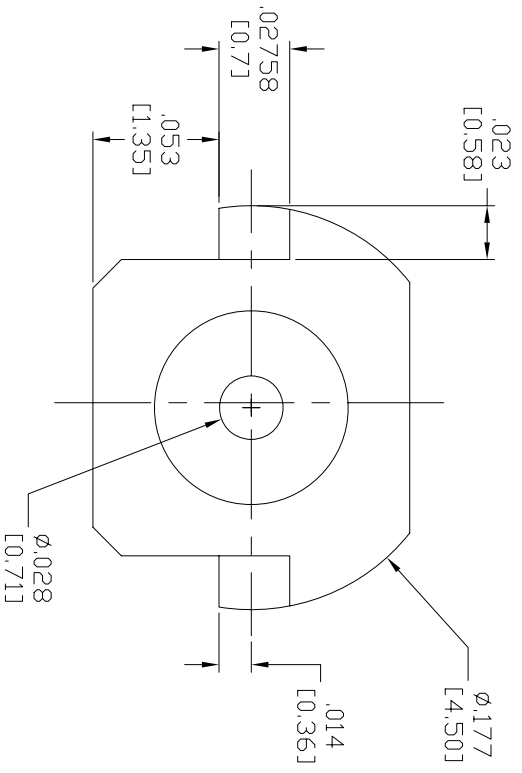


Rev	AWO #	Description	Date	Appr
-		RELEASED	1/10/06	

APPROVED: _____
 DATE: _____ TITLE: _____



NO	Description	Qty	Material	Finish
3	PIN	1	BRASS	GOLD
2	INSUAL TOR	1	TEFLON	NONE
1	BDDY	1	BRASS	GOLD

SPECIFICATIONS:
 Environmental:
 Lead free, RoHS compliant.
 Recommended soldering temp: 235° for 5 sec.



UNLESS OTHERWISE SPECIFIED
 ALL DIMENSIONS ARE MM [INCHES]
 TOLERANCES: EXCEPT AS NOTED
 INCHES Holes
 .X ± .10 ØXX ± .10
 .XX ± .020 ØXXX ± .015
 .XXX ± .015 ØXXXX ± .010

ADAM TECH

909 Rahway Avenue, Union, NJ 07083
 Phone: 908-687-5000 Fax: 908-687-0214

TITLE
 RF CONNECTOR, TYPE MMCK,
 VERTICAL, 50 OHM, PCB MOUNT

DRAWN	SLS	1/10/06
CHECKED		
APPROVED		

SIZE	PART NO.	REV.
X	RF12-05-T-00-50-G	-
REF:	SCALE: NTS	SHEET 1 OF 1