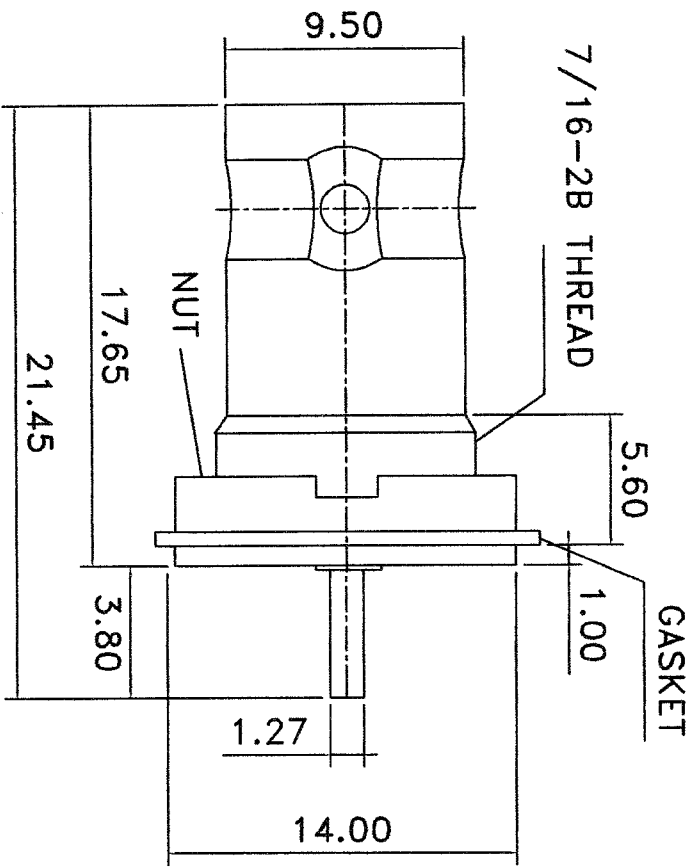


Rev	AWO #	Description	Date	Appr
-	5614	RELEASED	11/16/05	

APPROVED: _____
 DATE: _____ TITLE: _____



SPECIFICATIONS:

- Material:*
 Insulator: Teflon
 Body: Brass, Nickel plated
 Pin: Brass, Gold plated
 Nut: Brass, Nickel plated
 Ground Ring: Steel, Nickel plated
- Electrical:*
 Nominal Impedance: 50 ohms
- Environmental:*
 Lead free, RoHS compliant.



UNLESS OTHERWISE SPECIFIED
 ALL DIMENSIONS ARE INCHES [MM]
 TOLERANCES: EXCEPT AS NOTED

INCHES	HOLE
.X ± .10	ØX ± .10
.XX ± .020	ØXX ± .015
.XXX ± .015	ØXXX ± .010

APPROVALS

DATE	DATE
SS	11/16/05

DRAWN: SS
 CHECKED: _____
 APPROVED: _____

ADAM TECH
 909 Rahway Avenue, Union, NJ 07083
 Phone: 908-687-5000 Fax: 908-687-5710

TITLE	BNC JACK, SOLDER TYPE	
SIZE	PART NO.	REV.
X	RF1-35-T-00-50	.
REF:	SCALE: NTS	SHEET 1 OF 1

6 5 4 3 2 1