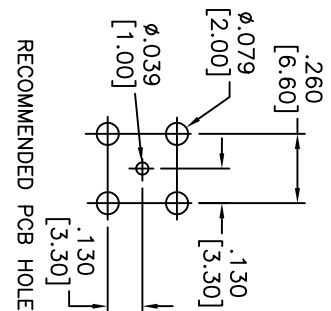
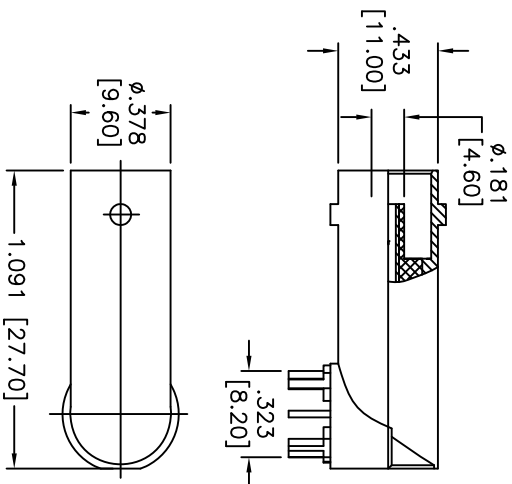
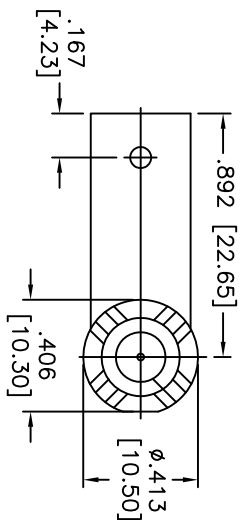
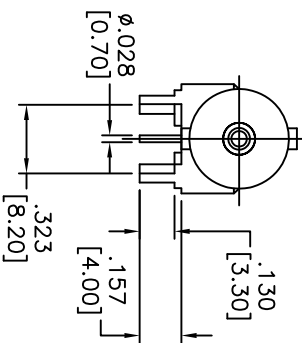


APPROVED: \_\_\_\_\_  
 DATE: \_\_\_\_\_ TITLE: \_\_\_\_\_

Rev	AWO #	Description	Date	Appr
-		RELEASED	04/06/05	
A		REDRAWN	8/16/10	



CONTACT PIN	MATERIAL	FINISHED	QTY
CENTER CONTACT	BRASS	TIN PLATED	1
INSULATOR	P-BRONZE	GOLD PLATED	1
INSULATOR	POM	WHITE	1
INSULATOR	PP	NATURAL	1
INSULATOR	POM	WHITE	1
BODY	ZINC	NICKEL PLATED	1
DESCRIPTION <td>MATERIAL <td>FINISHED <td>QTY </td></td></td>	MATERIAL <td>FINISHED <td>QTY </td></td>	FINISHED <td>QTY </td>	QTY

**SPECIFICATIONS:**

**Electrical:**  
 Nominal Impedance: 50 ohms  
 Frequency range: 0-4 GHz  
 Working Voltage: 500 VRMS max.  
 Dielectric Withstanding Voltage: 1500 VRMS min.  
 Contact Resistance: 3 Milliohms max. (Center Contact)  
 2 Milliohms max. (Outer Contact)  
 Insulator Resistance: 5000 Megohms min.  
**Environmental:**  
 Lead free, RoHS compliant.



**ADAM TECH**

909 Rahway Avenue, Union, NJ 07083  
 Phone: 908-687-5000 Fax: 908-687-5710

TITLE: BNC FEMALE RIGHT ANGLE PCB MOUNT

APPROVALS		DATE
DRAWN	SS	04/06/05
CHECKED		
APPROVED		

SIZE	PART NO.	REV.
X	RF1-29-D-00-50	A

REF: S00049T SCALE: MTS SHEET 1 OF 1