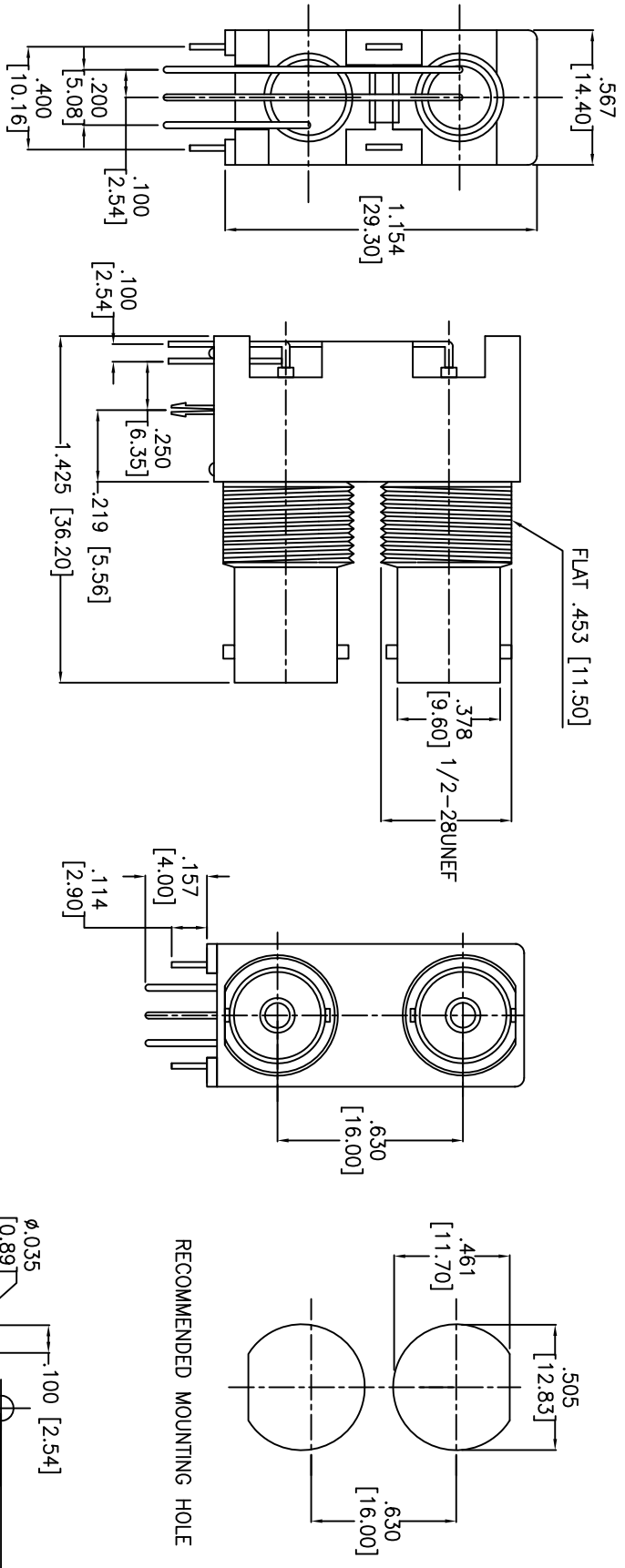
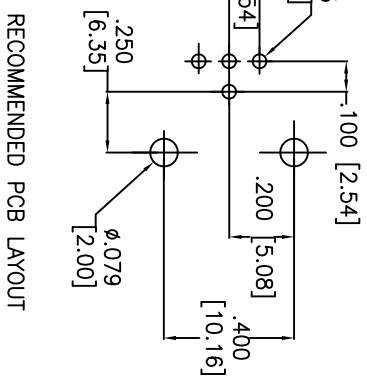


Rev	AWO #	Description	Date	Appr
-		RELEASED	6/28/10	

APPROVED: \_\_\_\_\_  
 DATE: \_\_\_\_\_ TITLE: \_\_\_\_\_



DESCRIPTION	MATERIAL	FINISH
SOLDER TAIL	COPPER	TIN
MOUNTING POST	BRASS	TIN
INSULATOR	PE	WHITE
HOUSING	PBT	WHITE
BODY	ZINC	NICKEL
PIN	P.B	GOLD & TIN



**ADAM TECH**

909 Rarway Avenue, Union, NJ 07083  
 Phone: 908-687-5000 Fax: 908-687-5710

BNC JACK DUAL PORST RIA FOR PCB

UNLESS OTHERWISE SPECIFIED  
 ALL DIMENSIONS ARE INCHES [MM]  
 TOLERANCES: EXCEPT AS NOTED

INCHES	HOLES
.X ± .10	Ø.X ± .10
.XX ± .020	Ø.XXX ± .015
.XXX ± .015	Ø.XXXX ± .010

APPROVALS

APPROVED	DATE
DRAWN	DY
CHECKED	
APPROVED	6/28/10

SIZE	PART NO.	REV.
X	RF1-27-P-00-75-WT	
REF:	S0001T	
SCALE:	NTS	
SHEET	1 OF 1	

**SPECIFICATIONS:**

Electrical:  
 Impedance: 75 ohms  
 Frequency range: 0-4 GHz  
 Working Voltage: 500 VRMS max.  
 Dielectric Withstanding Voltage: 1500 VRMS min.  
 Contact Resistance: 3 Milliohms max. (Center Contact)  
 2 Milliohms max. (Outer Contact)  
 Insulator Resistance: 5000 Megohms min.  
 Environmental:  
 Lead free, RoHS compliant.

