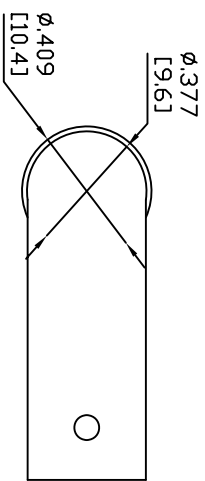
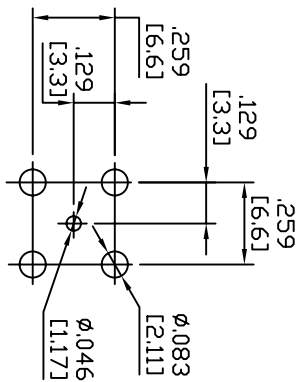
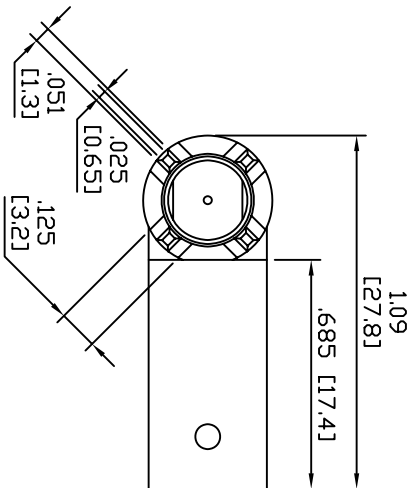
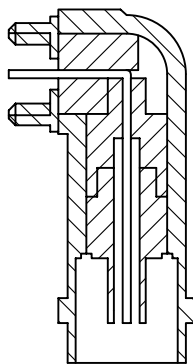
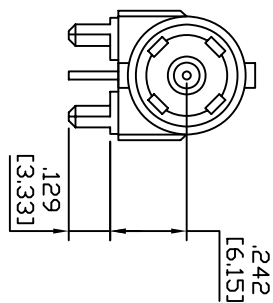
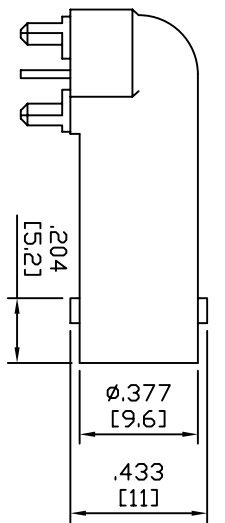


Rev	AWO #	Description	Date	Appr
-		RELEASED	4/18/06	

APPROVED: \_\_\_\_\_  
 DATE: \_\_\_\_\_ TITLE: \_\_\_\_\_



RECOMMENDED P.C.B. LAYOUT

**SPECIFICATIONS:**

**Material:**

Body: Zinc, Nickel over underplate  
 Insulator: Delrin

Insulator color: White

Contacts: Phosphor Bronze, Gold flash over underplate

**Electrical:**

Operating voltage: 500 VAC max

Frequency range: 0-4

Impedance: 75 ohm

VSWR: 1.2 max 0-2GHz

Contact resistance: 3mohms max at DC 1A

Insulation resistance: 1,000 Mohms min at DC 500V

Dielectric withstanding voltage: 1,500 VAC for 1 minute

**Environmental:**

Lead free, RoHS compliant.

Recommended soldering temp: 235°C for 5 sec.



UNLESS OTHERWISE SPECIFIED ALL DIMENSIONS ARE MM [INCHES]	
TOLERANCES: EXCEPT AS NOTED	
INCHES	
.X ± .10	ØXX ± .10
.XX ± .020	ØXXX ± .015
.XXX ± .015	ØXXX ± .010
APPROVALS	DATE
DRAWN	LFJ
CHECKED	
APPROVED	

**ADAM TECH**  
 909 Railway Avenue, Union, NJ 07083  
 Phone: 908-687-5000 Fax: 908-687-5710

TITLE: BNC CONNECTOR MOUNT 75 OHM

SIZE	PART NO.	REV.
X	RF1-15-D-00-75	-
REF:	SCALE: NTS	SHEET 1 OF 1

6 5 4 3 2 1