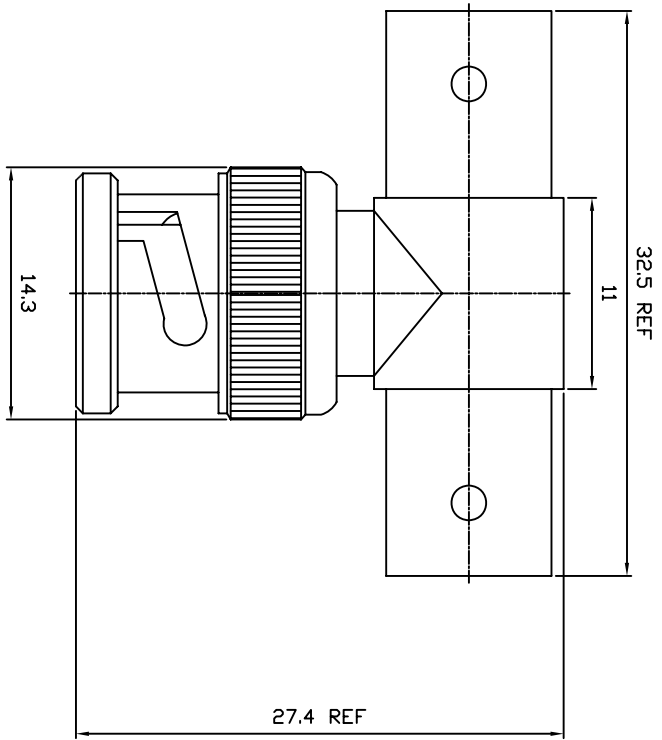


| Rev | AWO # | Description | Date | Appr |
|-----|-------|-------------|---------|------|
| - | | RELEASED | 2/14/06 | |

APPROVED: _____
 DATE: _____ TITLE: _____



| NO | DESCRIPTION | MATERIAL | FINISH | QTY |
|----|-------------|----------|--------|-----|
| 11 | GASKET | RUBBER | RED | 1 |
| 10 | WASGWR | IRON | NICKEL | 1 |
| 9 | SPRING | SK-5 | NICKEL | 1 |
| 8 | WASGWR | IRON | NICKEL | 1 |
| 7 | INSULATOR | DELIRIN | WHITE | 1 |
| 6 | PIN | BRASS | GOLD | 1 |
| 5 | WASHER | IRON | NICKEL | 1 |
| 4 | INSULATOR | DELIRIN | WHITE | 1 |
| 3 | PIN | BRASS | GOLD | 1 |
| 2 | BDDY | ZINC | NICKEL | 1 |
| 1 | SHELL | ZINC | NICKEL | 1 |

UNLESS OTHERWISE SPECIFIED
 ALL DIMENSIONS ARE INCHES [MM]
 TOLERANCES: EXCEPT AS NOTED

| INCHES | HOLES |
|-------------|--------------|
| .X ± .10 | Ø.X ± .10 |
| .XX ± .020 | Ø.XX ± .015 |
| .XXX ± .015 | Ø.XXX ± .010 |

APPROVALS

| DATE | DATE |
|------|------|
| | |

ADAM TECH
 909 Rahway Avenue, Union, NJ 07083
 Phone: 908-687-5000 Fax: 908-687-5710

TITLE: BNC MALE TO DOUBLE BNC FEMALE
 50 DHM

ELECTRICAL:
 Frequency range: 0-4 GHz
 Voltage rating: 500 Volts AC
 VSWR: 1.2 max 0-2 GHz
 Impedance: 50 OHMS
 Environmental:
 Lead free, RoHS compliant.



| DRAWN | SS | 2/14/06 | SIZE | PART NO. | REV. |
|----------|----|---------|------|-----------------|--------------|
| CHECKED | | | X | RF-1-05-D-XX-50 | |
| APPROVED | | | REF: | SCALE: NTS | SHEET 1 OF 1 |