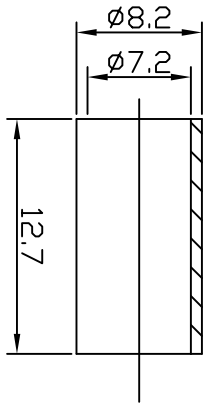
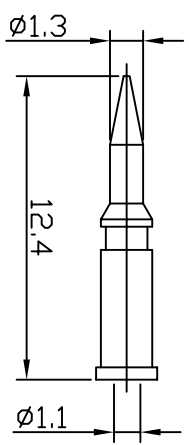
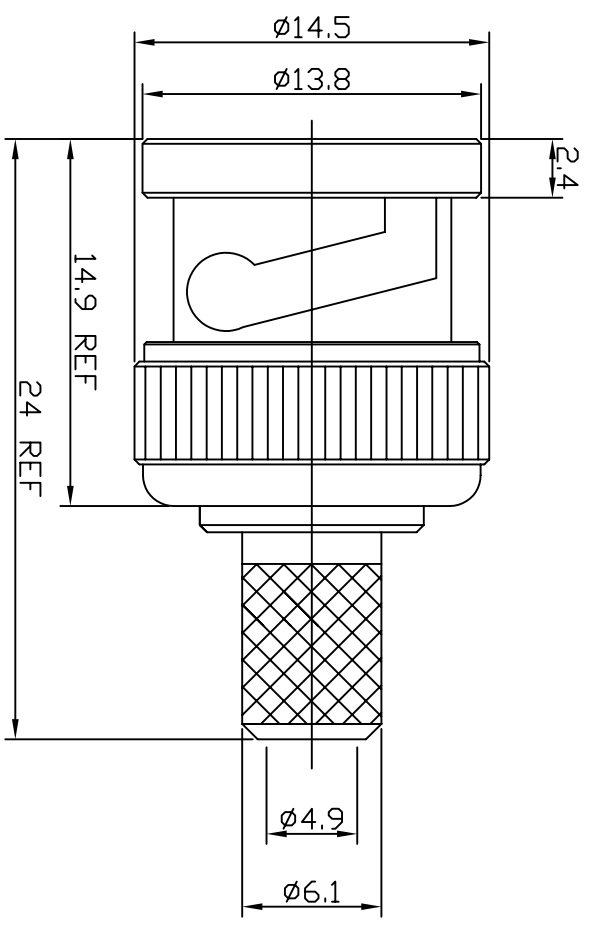


Rev	AWO #	Description	Date	Appr
-		RELEASED	8/19/05	

APPROVED: \_\_\_\_\_ TITLE: \_\_\_\_\_  
 DATE: \_\_\_\_\_



DESCRIPTION	MATERIAL	FINISH	QTY
FERRULE	BRASS	NICKEL	1
CENTER CONTACT	BRASS	GOLD	1
BODY	BRASS	NICKEL	1
WASHER	SS42	NICKEL	1
SPRING	SK5	NICKEL	1
C-RING	SS41	NICKEL	1
RUBBER GASKET	RUBBER	RED	1
INSULATOR	DELTRIN	WHITE	1
SHELL	BRASS	NICKEL	1

UNLESS OTHERWISE SPECIFIED  
 ALL DIMENSIONS ARE INCHES [MM]  
 TOLERANCES: EXCEPT AS NOTED

INCHES	HOLES
.X ± .10	Ø.X ± .10
.XX ± .020	Ø.XX ± .015
.XXX ± .015	Ø.XXX ± .010

APPROVALS	DATE
DRAWN SS	8/19/05
CHECKED	
APPROVED	

**ADAM TECH**  
 909 Rahway Avenue, Union, NJ 07083  
 Phone: 908-687-5000 Fax: 908-687-5710

TITLE: BNC MALE CRIMP, 75 OHM  
 FOR RG-6U PLENUM, B1695A

SIZE	PART NO.	REV.
X	RF-1-03-D-05P-75	

**ELECTRICAL:**  
 Frequency range: 0-4 GHz  
 Voltage rating: 500 Volts AC  
 VSWR: 1.2 max 0-2 GHz  
 Impedance: 75 OHMS  
 Environmental:  
 Lead free, RoHS compliant.

