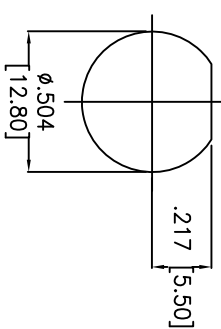
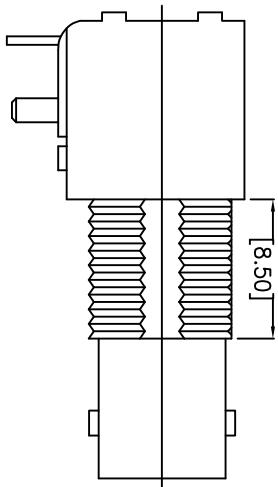
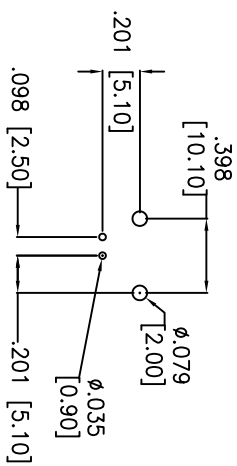
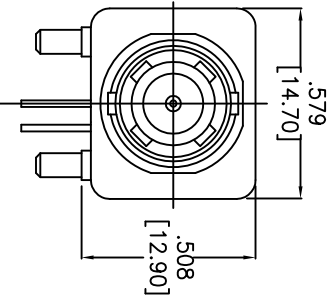
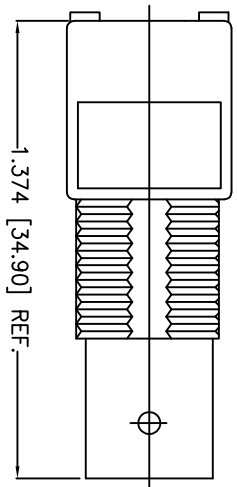
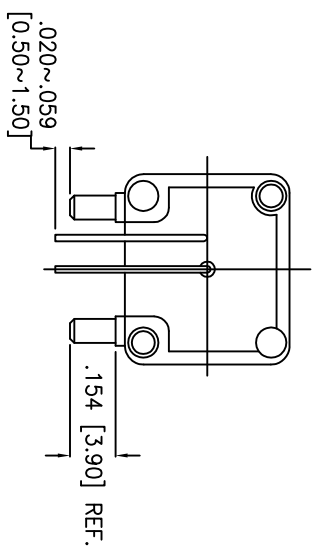


Rev	AWO #	Description	Date	Appr
-		RELEASED	12/27/07	
A		REDRAWN	11/04/10	
B		REMOVE NUT & WASHER	12/01/10	

APPROVED: \_\_\_\_\_  
 DATE: \_\_\_\_\_ TITLE: \_\_\_\_\_



RECOMMENDED PANEL CUTOUTS

DESCRIPTION	MATERIAL	FINISH
PIN	COPPER	TIN
PIN	COPPER	TIN
INSULATOR	POM	NONE
BODY	ZINC ALLOY	NICKEL
CENTER CONTACT	PHOSPHOR BRONZE	GOLD

**SPECIFICATIONS:**

Electrical:  
 Impedance: 75 ohms  
 Frequency range: 0-4 GHz  
 Working Voltage: 500 VRMS max.  
 Dielectric Withstanding Voltage: 1500 VRMS min.  
 Contact Resistance: 3 Milliohms max. (Center Contact)  
 2 Milliohms max. (Outer Contact)  
 Insulator Resistance: 5000 Megohms min.  
 Environmental:  
 Lead free, RoHS compliant.

UNLESS OTHERWISE SPECIFIED  
 ALL DIMENSIONS ARE INCHES [MM]  
 TOLERANCES: EXCEPT AS NOTED  
 INCHES HOLES

.X	± .10	Ø.X	± .10
.XX	± .020	Ø.XXX	± .015
.XXX	± .015	Ø.XXXX	± .010

APPROVALS	DATE
DRAWN	SLS
CHECKED	
APPROVED	

**ADAM TECH**

909 Rahway Avenue, Union, NJ 07083  
 Phone: 908-687-5000 Fax: 908-687-5710

TITLE: 75 OHMS BNC R/A PCB/PANEL  
 MOUNT JACK, METAL BODY

SIZE	PART NO.	REV.
X	RF1-01-P-00-75-M	B

REF: S00054T SCALE: NTS SHEET 1 OF 1