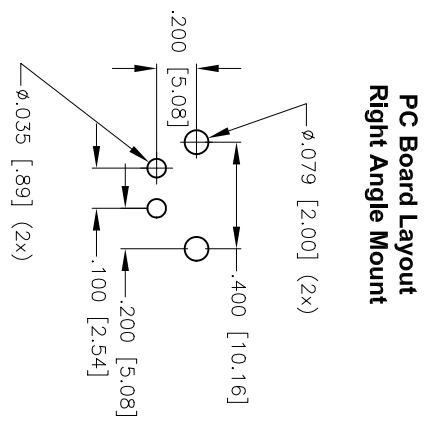
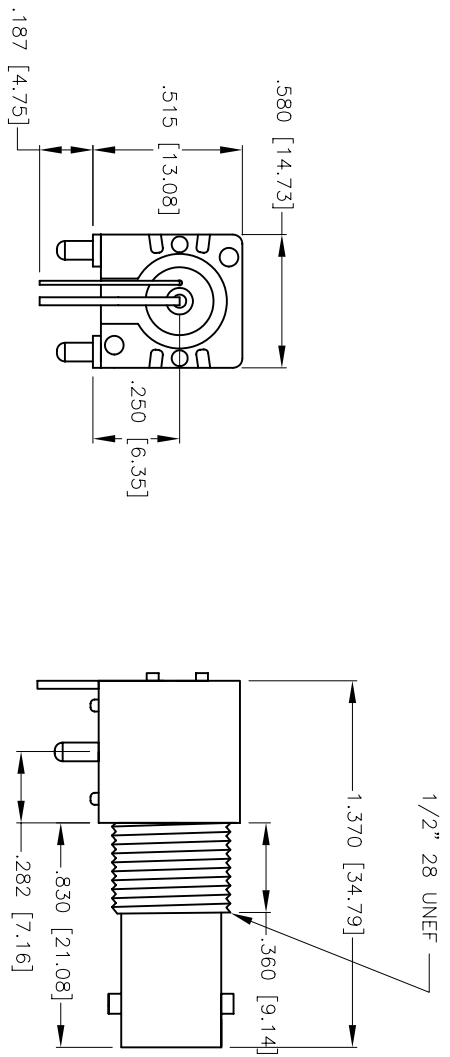


Rev	AWO #	Description	Date	Appr
-		RELEASED	4/2/04	

APPROVED: \_\_\_\_\_  
 DATE: \_\_\_\_\_ TITLE: \_\_\_\_\_



**CONNECTOR SPECIFICATIONS:**

**MATERIAL:**

Shell: Zinc  
 Insulator: Polybutylene Terephthalate (PBT), glass reinforced thermoplastic, rated UL94V-0  
 Insulator Color: Black  
 Dielectric: Polypropylene  
 Contacts: Phosphor Bronze

**PLATING:**

15 uin gold on mating area  
 200 uin (min) tin-lead on solder tails

**ELECTRICAL:**

Operation Voltage: 500 VAC max.  
 Impedance: 50 ohms; Frequency Range: 0-4 GHz  
 Contact Resistance: Inner: 6 - Outer; 3 mohms  
 Insulation Resistance: 5000 Mohms (min.) @ 1500 VDC between adjacent contacts (75°F and 50 % R.H.)  
 Dielectric Withstanding Voltage: 1500 VAC (min.) rms

**MECHANICAL:**

insertion Force: 0 gms.  
 Cable Retention: 60 lbs. (min.)  
 Mating Durability: 500 cycles (min.)

**ENVIRONMENTAL:**

Operating Temperature: -55°C to +85°C

UNLESS OTHERWISE SPECIFIED	
ALL DIMENSIONS ARE MM [INCHES]	
TOLERANCES: EXCEPT AS NOTED	
INCHES	HOLDS
.X	±.10
.XX	±.020
.XXX	±.015
.XXX	±.010
APPROVALS	DATE
DRAWN	SLS
CHECKED	
APPROVED	

**ADAM TECH**  
 909 Rahway Avenue, Union, NJ 07083  
 Phone: 908-687-5000 Fax: 908-687-5710

**Right Angle BNC Connector, 50 OHM**

TITLE

SIZE	PART NO.
X	RF1-01-P-00-50
REF:	SCALE: NTS