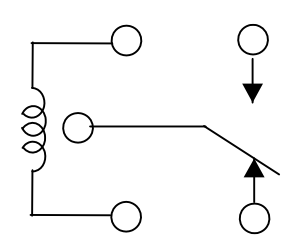
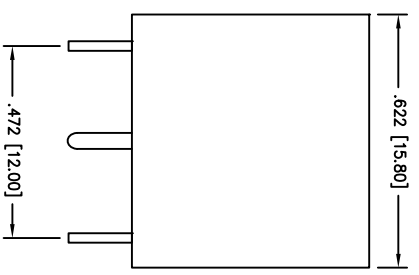
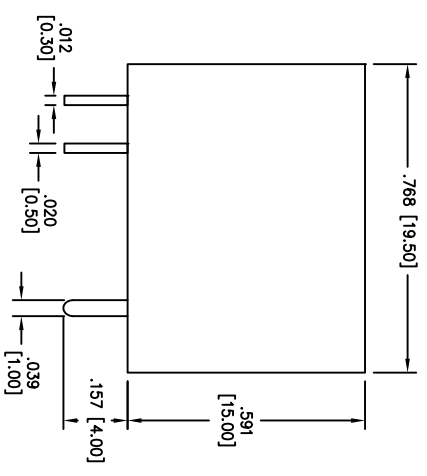
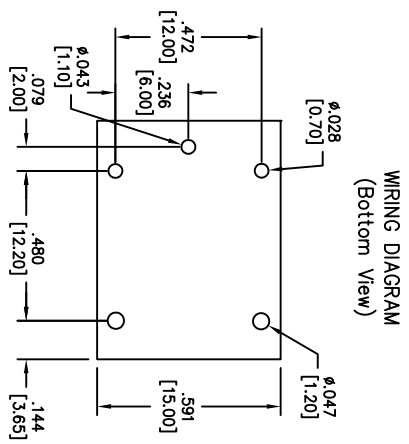


Rev	AWO #	Description	Date	Appr
-		RELEASED	9/22/09	

APPROVED: _____
 DATE: _____ TITLE: _____



RECOMMENDED PCB LAYOUT
(Bottom View)



WIRING DIAGRAM
(Bottom View)

SPECIFICATIONS:

Electrical:
 Contact arrangement: 1C(1PDT)
 Contact material: Silver-Cadmium Oxide as standard.
 Contact Rating (Resistive load): 10A @ 240V AC/24V DC
 Contact resistance: 100 milliohms max. (initial value)
 Insulation resistance: 100 MΩ min. @ 500V DC
 Dielectric strength:
 Between Contact: 750VAC, 50/60Hz.
 Between all elements: 1500VAC, 50/60Hz
 Operating time: 8ms max. Release time: 8ms max.
 Electrical Expected Life: 100,000 OPS min.(at rated load)
Mechanical:
 Vibration resistance: (Malfunction) 1.5mm DA 10-55Hz
 (Destructive) 1.5mm DA 10-55Hz
 Shock resistance: (Malfunction) 10G (11ms)
 (Destructive) 100G (6ms)
 Mechanical Expected Life: 10,000,000 OPS min.
 Temperature Rating: Ambient temperature: -25°C to +60°C
 Environmental:
 Lead free, RoHS compliant
 Recommended soldering temp: 235°C for 5 sec.
 Packaging: Anti-ESD plastic trays
 Safety Agency Approvals: cUL Recognized File No. E305638

Coil Data (0.36W, at 25°C)

PART NO.	RCS-1C-12
Nominal Voltage	12VDC
Pick-up Voltage	8.4VDC
Drop-out Voltage	1.2VDC
Coil Resistance	400 Ω
Nominal Current	30 mA

UNLESS OTHERWISE SPECIFIED
 ALL DIMENSIONS ARE INCHES [MM]
 TOLERANCES: EXCEPT AS NOTED
 INCHES HOLES
 .X ± .10 ØXX ± .10
 .XX ± .020 ØXXX ± .015
 .XXX ± .015 ØXXXX ± .010

ADAM TECH
 909 Rahway Avenue, Union, NJ 07083
 Phone: 908-687-5000 Fax: 908-687-5710

TITLE
RELAY, 1C, 12VDC COIL VOLTAGE

APPROVALS		DATE
DRAWN	DY	9/22/09
CHECKED		
APPROVED		

SIZE	PART NO.	REV.
X	RCS-1C-12	-

REF: S00730T SCALE: NTS SHEET 1 OF 1

