

Rev	AWO #	Description	Date	Appr
-	10205	RELEASED	11/29/10	

6

5

4

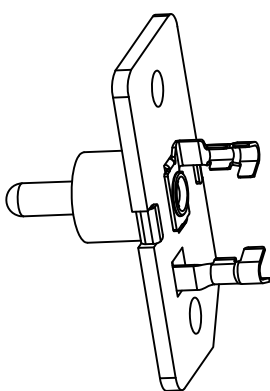
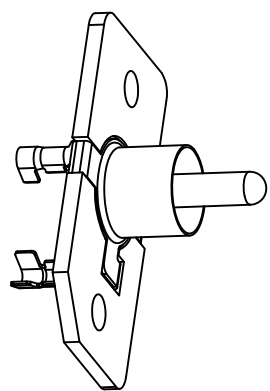
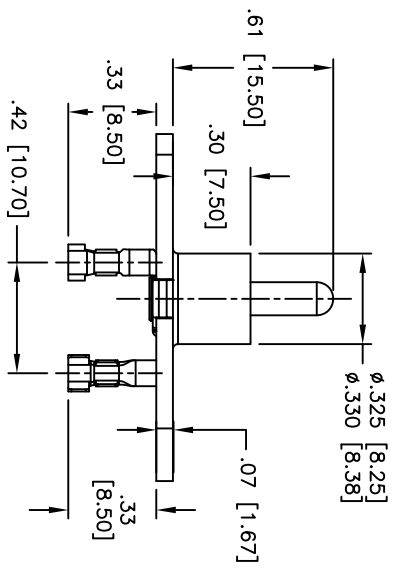
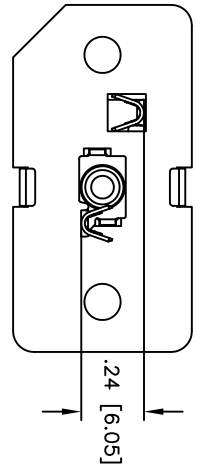
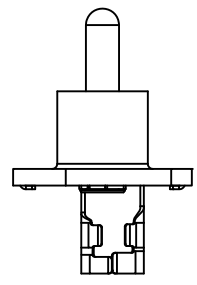
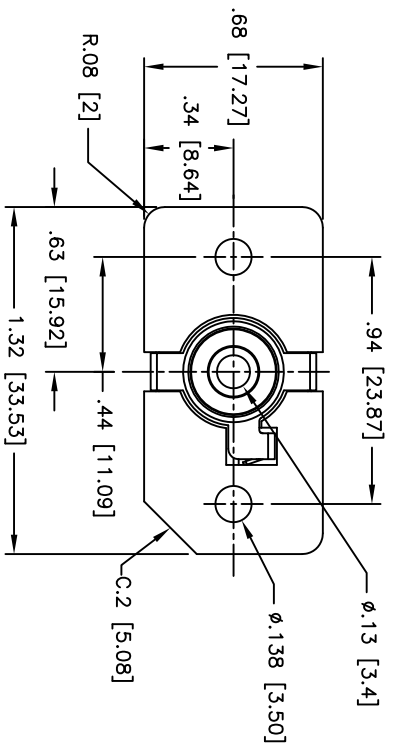
3

2

1

APPROVED: \_\_\_\_\_

DATE: \_\_\_\_\_ TITLE: \_\_\_\_\_



## SPECIFICATIONS:

Material: PA9T, rated UL 94V-0

Insulator color: Black

Center Pin: Brass, Nickel plated

Contacts: Brass

Plating:

Tin over Copper underplate

Electrical:

Operating voltage: 50 VDC max.

Current rating: 1 Amps max

Contact resistance: 30 mohms max.

Insulation resistance: 100 Mohms min. @ DC 250V

Dielectric withstanding voltage: 500 VAC for 1 minute

Environmental:

Lead free, RoHS compliant

Recommended soldering temp: 260°C for 5 sec.



UNLESS OTHERWISE SPECIFIED ALL DIMENSIONS ARE INCHES [MM]	
TOLERANCES: EXCEPT AS NOTED	
.X	±.10
.XX	±.020
.XXX	±.015
.XXX	±.015
INCHES	HOLE
±.10	±.015
±.015	±.010
±.010	

DRAWN DY 11/29/10

CHECKED

APPROVED

# ADAM TECH

909 Rahway Avenue, Union, NJ 07083

Phone: 908-687-5000 Fax: 908-687-5710

RCA PLUG

RCP-22-W-1-C4

SIZE	PART NO.	REV.
X	RCP-22-W-1-C4	-
REF: S0002C	SCALE: NTS	SHEET 1 OF 1

6

5

4

3

2

1