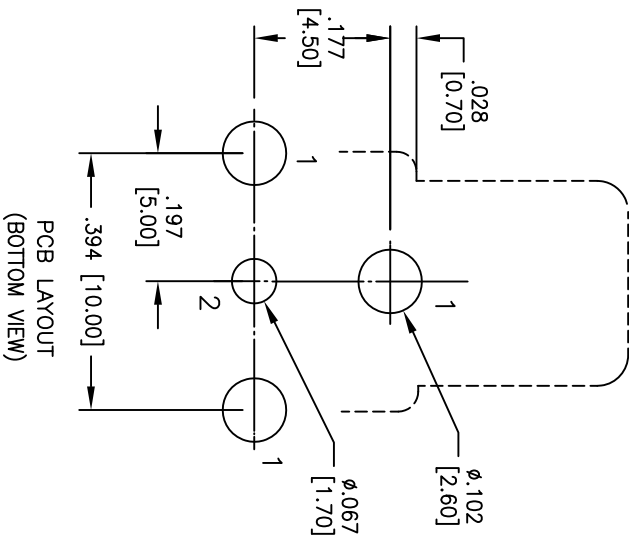
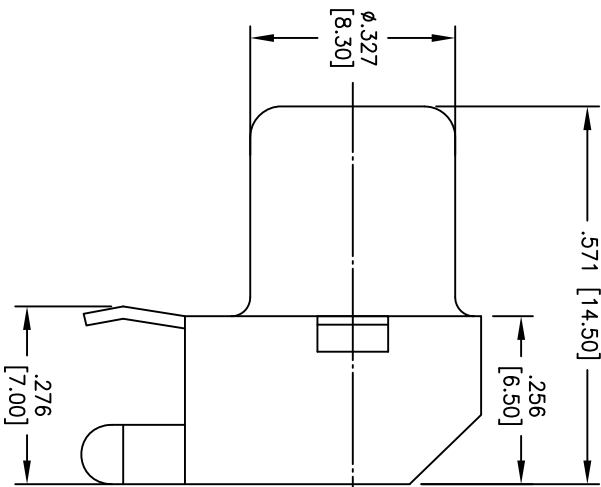
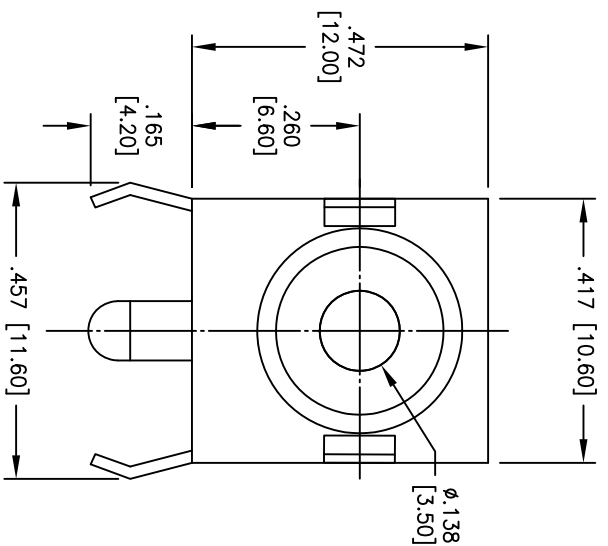
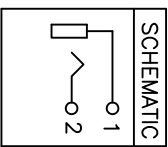


APPROVED: \_\_\_\_\_  
 DATE: \_\_\_\_\_ TITLE: \_\_\_\_\_

| Rev | AWO # | Description | Date    | Appr |
|-----|-------|-------------|---------|------|
| -   |       | RELEASED    | 9/8/03  |      |
| A   |       | REDRAWN     | 8/25/10 |      |



| ADAM P/N:    | INSULATOR COLOR |
|--------------|-----------------|
| RCA-H101B-T  | BLACK           |
| RCA-H101R-T  | RED             |
| RCA-H101W-T  | WHITE           |
| RCA-H101Y-T  | YELLOW          |
| RCA-H101BL-T | BLUE            |
| RCA-H101G-T  | GRAY            |
| RCA-H101O-T  | GREEN           |
| RCA-H101OR-T | ORANGE          |
| RCA-H101BR-T | BROWN           |



**SPECIFICATIONS:**

Material:

Insulator: PBT, Glass reinforced, rated UL 94V-0

Insulator color: Black

Insert: PBT

Inserts color available: Black, Red, White, Yellow, Blue, Gray, Green, Orange, Brown

Contacts: Brass, Tin plated

Shell: Iron, Tin plated

Electrical:

Contact resistance: 30 mohms max. initial

Insulation resistance: 100 Mohms min.

Dielectric withstanding voltage: 500 VAC for 1 minute

Temperature Rating:

Operating temperature: -25°C to +85°C

Environmental:

Lead free, RoHS Compliant

Recommended soldering temp: 235°C for 5 seconds

UNLESS OTHERWISE SPECIFIED  
 ALL DIMENSIONS ARE IN INCHES [MM]  
 TOLERANCES: EXCEPT AS NOTED

|        |        |       |        |
|--------|--------|-------|--------|
| INCHES |        | HOLES |        |
| .X     | ± .10  | ØXX   | ± .10  |
| .XX    | ± .020 | ØXXX  | ± .015 |
| .XXX   | ± .015 | ØXXX  | ± .010 |

APPROVALS

| APPROVALS | DATE |        |
|-----------|------|--------|
| DRAWN     | SIS  | 9/8/03 |
| CHECKED   |      |        |
| APPROVED  |      |        |

**ADAM TECH**

909 Railway Avenue, Union, NJ 07083  
 Phone: 908-687-5000 Fax: 908-687-5710

RCA JACK, R/A MOUNT, ALL METAL

| SIZE | PART NO.    | REV. |
|------|-------------|------|
| X    | RCA-H101X-T | A    |

REF: S00062T SCALE: NTS SHEET 1 OF 1

