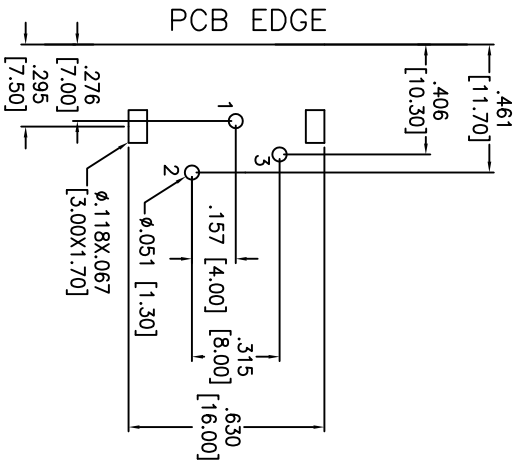
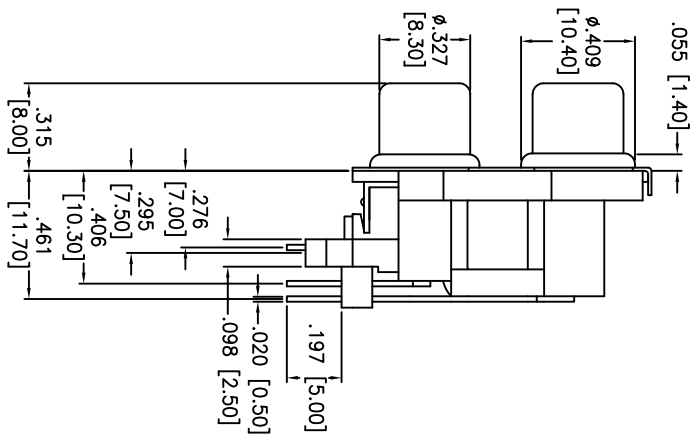
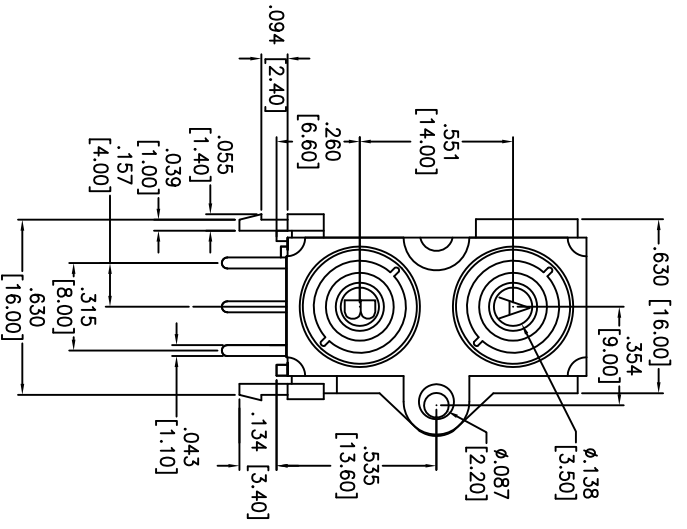


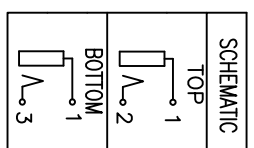
Rev	AWO #	Description	Date	Appr
-		RELEASED	12/02/09	

APPROVED: \_\_\_\_\_ DATE: \_\_\_\_\_

TITLE: \_\_\_\_\_

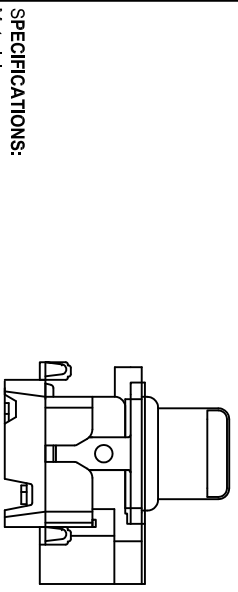


RECOMMENDED PCB LAYOUT  
(Bottom View)



ADAM P/N	A	B
RCA-8S-1-W/R	WHITE	RED
RCA-8S-1-R/W	RED	WHITE
RCA-8S-1-Y/Y	YELLOW	YELLOW
RCA-8S-1-B/B	BLACK	BLACK

JACKS A AND B CAN BE ANY COMBINATION OF AVAILABLE COLORS



**SPECIFICATIONS:**

- Material: ABS, color White
- Housing: ABS, color Black
- Top cover: ABS, color Black
- Ring: PBT, color Red, White, Yellow, Black
- Terminal: Brass, Tin plated
- Barrel: Brass, Nickel plated
- Shell Cover: Brass, Nickel plated
- Electrical:
  - Operation voltage: 30V DC max.
  - Current rating: 1 Amp max
  - Contact resistance: 50 mohms max.
  - Insulation resistance: 100 Mohms min
  - Dielectric withstanding voltage: 500 VAC for 1 minute
  - Temperature rating: -25°C to +80°C
- Operating temperature: -25°C to +80°C
- Environmental:
  - Lead free, RoHS compliant.
  - Recommended soldering temp: 235°C for 5 sec.
  - Packaging: Anti-ESD plastic bags



**ADAM TECH**

909 Railway Avenue, Union, NJ 07083  
Phone: 908-687-5000 Fax: 908-687-5710

RCA JACK, 2 PORTS, GANGED, W/SHEEL

UNLESS OTHERWISE SPECIFIED ALL DIMENSIONS ARE INCHES [MM] TOLERANCES: EXCEPT AS NOTED		INCHES		HOLDS	
.X	± .10	ØXX	± .10		
.XX	± .020	ØXXX	± .015		
.XXX	± .015	ØXXXX	± .010		
APPROVALS		DATE		TITLE	
DRAWN	DY	12/02/09		RCA JACK, 2 PORTS, GANGED, W/SHEEL	
CHECKED				SIZE	PART NO.
APPROVED				X	RCA-8S-1-XX
				REF: S00095T	SCALE: NTS
					SHEET 1 OF 1