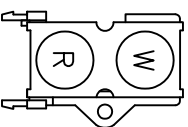
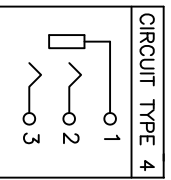
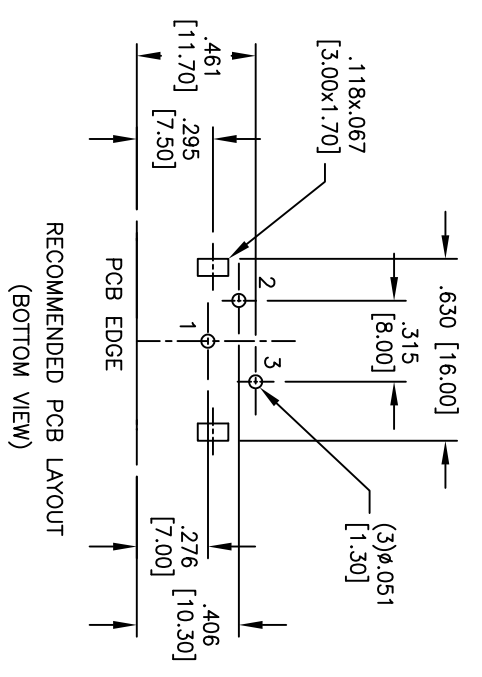
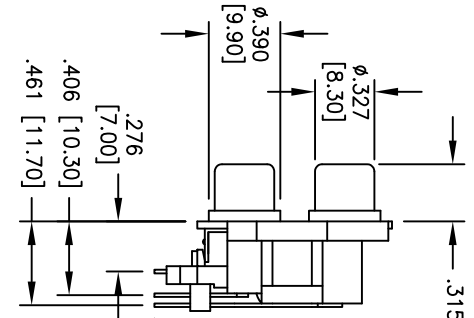
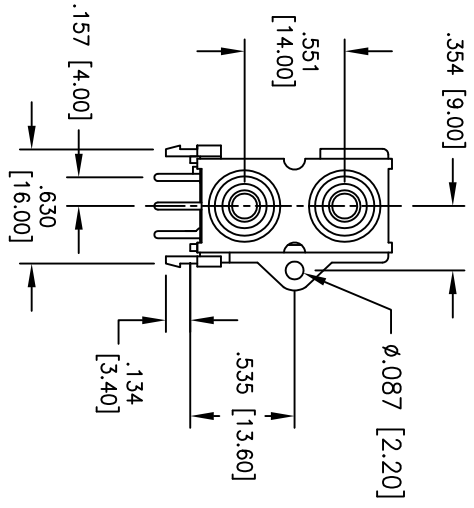


Rev	AWO #	Description	Date	Appr
-		RELEASED	12/10/04	

APPROVED: _____ TITLE: _____
 DATE: _____



W = WHITE
 R = RED

Color Layout

SPECIFICATIONS:
Material:
 Insulator: PBT, Glass reinforced, rated UL 94V-0
 Insulator colors: Black, White, Red
 Bushings: Brass, Nickel plated
 Contacts: Brass
 Plating:
 Tin or Silver over Copper underplate

Electrical:
 Operating voltage: 12 VDC max.
 Current rating: 1 Amp max.
 Contact resistance: 30 mohms max. initial
 Insulation resistance: 100 Mohms min.
 Dielectric withstanding voltage: 500 VAC for 1 minute
 Temperature Rating:
 Operating temperature: -25°C to +85°C

Environmental:
 Lead free, RoHS compliant.
 Recommended soldering temp: 235°C for 5 sec.



UNLESS OTHERWISE SPECIFIED
 ALL DIMENSIONS ARE INCHES [MM]
 TOLERANCES: EXCEPT AS NOTED
 INCHES
 .X ± .10
 .XX ± .020
 .XXX ± .015
 HOLES
 ØX ± .10
 ØXX ± .015
 ØXXX ± .010

ADAM TECH
 909 Railway Avenue, Union, NJ 07083
 Phone: 908-687-5000 Fax: 908-687-5710

APPROVALS	DATE
DRAWN SS	10/4/04
CHECKED	
APPROVED	

SIZE	PART NO.	REV.
X	RCA-8-4-W/R	-
REF:	SCALE: NTS	SHEET 1 OF 1

RCA JACK, 2 PORTS, STACKED