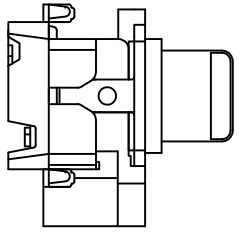
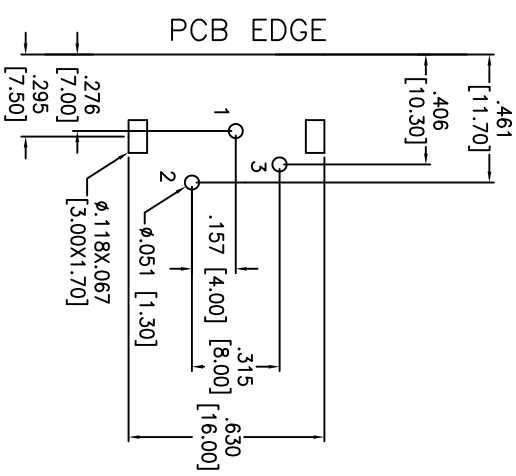
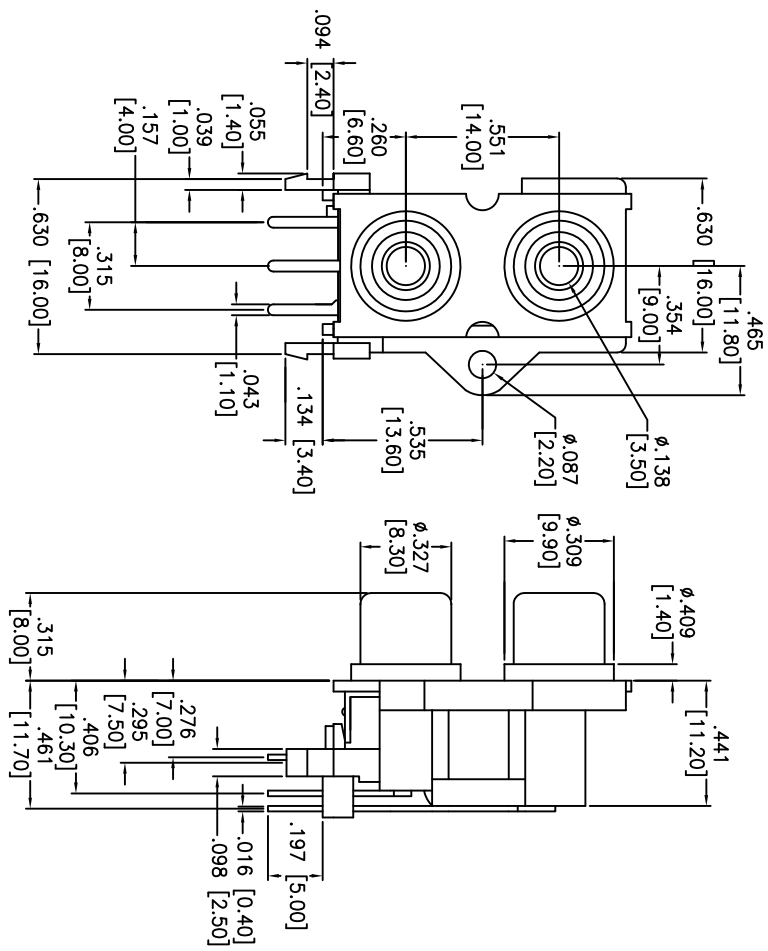


Rev	AWO #	Description	Date	Appr
-		RELEASED	12/02/09	

APPROVED: _____ DATE: _____ TITLE: _____



ADAM P/N	A	B
RCA-8-1-W/R	WHITE	RED
RCA-8-1-R/W	RED	WHITE
RCA-8-1-Y/Y	YELLOW	YELLOW
RCA-8-1-B/B	BLACK	BLACK

JACKS A AND B CAN BE ANY COMBINATION OF AVAILABLE COLORS

SPECIFICATIONS:

- Material: ABS, color White
- Housing: ABS, color White
- Top cover: ABS, color Black
- Ring: PBT, color Red, White, Yellow, Black
- Terminal: Brass, Tin plated
- Barrel: Brass, Nickel plated
- Electrical:
 - Operation voltage: 30V DC max.
 - Current rating: 1 Amp max
 - Contact resistance: 50 mohms max.
 - Insulation resistance: 100 Mohms min
 - Dielectric withstanding voltage: 500 VAC for 1 minute
 - Temperature rating: -25°C to +80°C
- Operating temperature: -25°C to +80°C
- Environmental:
 - Lead free, RoHS compliant.
 - Recommended soldering temp: 235°C for 5 sec.
- Packaging: Anti-ESD plastic bags



ADAM TECH

909 Railway Avenue, Union, NJ 07083
 Phone: 908-687-5000 Fax: 908-687-5710

TITLE: RCA JACK, 2 PORTS, GANGED

UNLESS OTHERWISE SPECIFIED ALL DIMENSIONS ARE INCHES [MM]	
TOLERANCES: EXCEPT AS NOTED	
INCHES	HOLDS
.X ± .10	ØX ± .10
.XX ± .020	ØXX ± .015
.XXX ± .015	ØXXX ± .010
APPROVALS	DATE
DRAWN	12/02/09
CHECKED	
APPROVED	

SIZE	PART NO.	REV.
X	RCA-8-1-X/X	-
REF: S00095T	SCALE: NTS	SHEET 1 OF 1