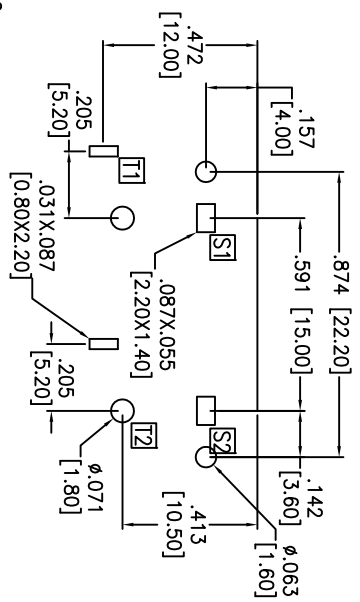
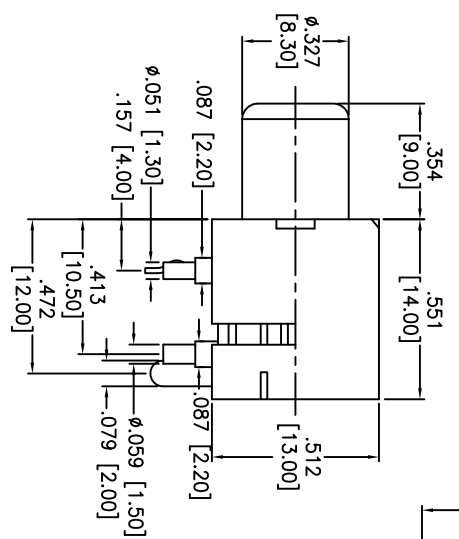
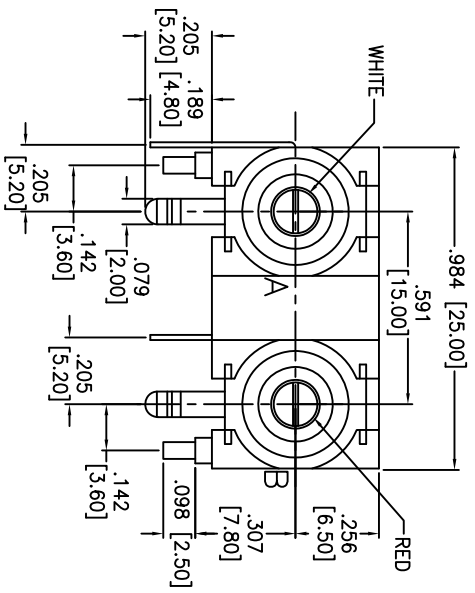
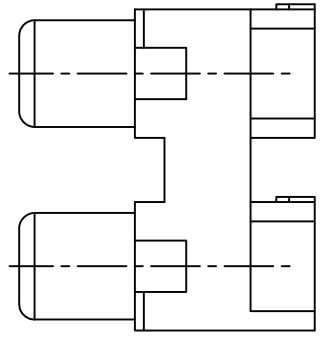
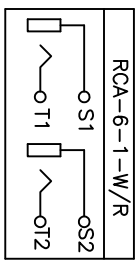


APPROVED: \_\_\_\_\_  
 DATE: \_\_\_\_\_ TITLE: \_\_\_\_\_

Rev	AWO #	Description	Date	Appr
-		RELEASED	6/22/07	
A		REDRAWN	10/15/09	



RECOMMENDED PCB LAYOUT



JACKS A AND B CAN BE ANY COMBINATION OF AVAILABLE COLORS

**SPECIFICATIONS:**

- Material: Insulator: PBT, glass reinforced thermoplastic, rated UL 94V-0
- Insulator colors: White, Red, Contacts: Brass
- Plating: Tin over Copper underplate.
- Electrical: Operation voltage: 30V DC max.
- Current rating: 1 Amp max
- Contact resistance: 50 mohms max.
- Insulation resistance: 100 Mohms min
- Dielectric withstanding voltage: 500 VAC for 1 minute
- Temperature rating: Operating temperature: -25°C to +80°C
- Environmental: Lead free, RoHS compliant.
- Recommended soldering temp: 235°C for 5 sec.
- Packaging: Anti-ESD plastic bags

**ADAM TECH**

909 Rahway Avenue, Union, NJ 07083  
 Phone: 908-687-5000 Fax: 908-687-5710

RCA JACK, 2 PORTS, GANGED

UNLESS OTHERWISE SPECIFIED ALL DIMENSIONS ARE INCHES [MM]		TOLERANCES: EXCEPT AS NOTED	
INCHES		HOLDS	
.X	± .10	ØX	± .10
.XX	± .020	ØXX	± .015
.XXX	± .015	ØXXX	± .010
APPROVALS		DATE	
DRAWN	SS	6/22/07	
CHECKED			
APPROVED			
SIZE	PART NO.	REV.	
X	RCA-6-1-W/R	A	
REF: S0002C	SCALE: NTS	SHEET 1 OF 1	

