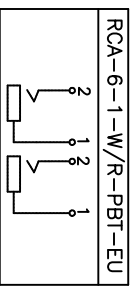
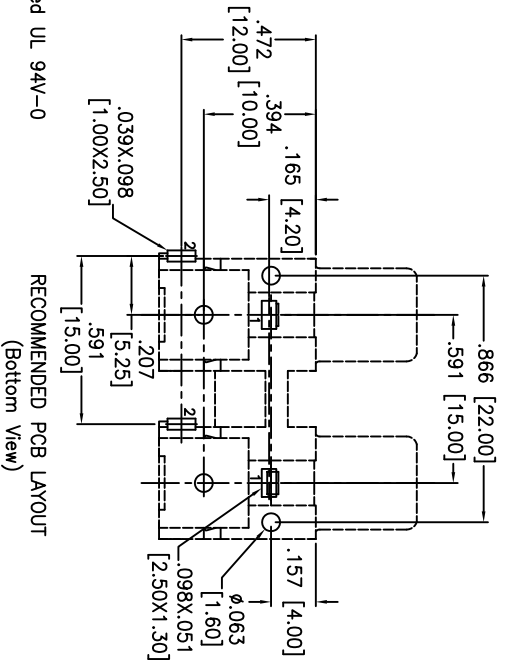
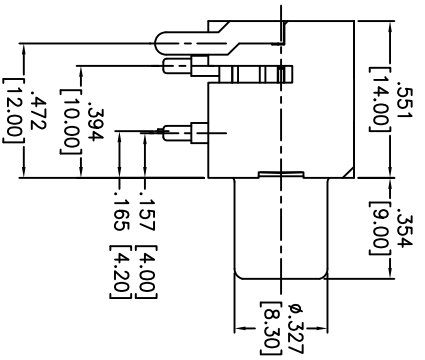
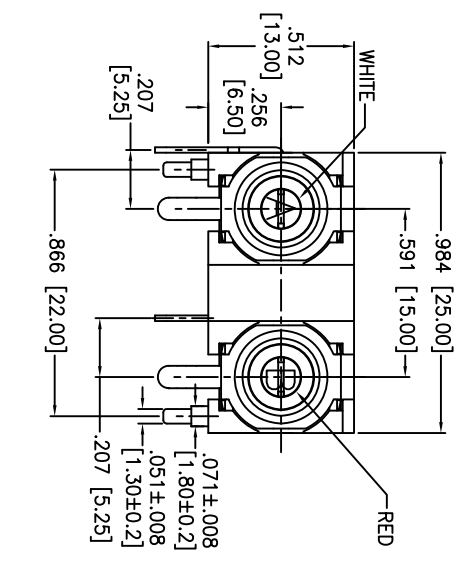


| Rev | AWO # | Description | Date     | Appr |
|-----|-------|-------------|----------|------|
| -   |       | RELEASED    | 11/03/09 |      |

APPROVED: \_\_\_\_\_ TITLE: \_\_\_\_\_  
 DATE: \_\_\_\_\_



JACKS A AND B CAN BE ANY COMBINATION OF AVAILABLE COLORS

RECOMMENDED PCB LAYOUT  
(Bottom View)

RECOMMENDED PCB LAYOUT  
(Bottom View)

- Material: PBT, glass reinforced, rated UL 94V-0
- Insulator colors: White, Red, Brass
- Contacts: Brass
- Plating: Tin over Copper underplate.
- Electrical: Operation voltage: 30V DC max. Current rating: 1 Amp max. Contact resistance: 30 mohms max. Insulation resistance: 100 Mohms min. Dielectric withstanding voltage: 500 VAC for 1 minute. Temperature rating: -25°C to +80°C
- Environmental: Lead free, RoHS compliant. Recommended soldering temp: 235°C for 5 sec.
- Packaging: Anti-ESD plastic bags

# ADAM TECH

909 Railway Avenue, Union, NJ 07083  
 Phone: 908-687-5000 Fax: 908-687-5710

RCA JACK, 2 PORTS, GANGED



|  |              |
|--|--------------|
| UNLESS OTHERWISE SPECIFIED ALL DIMENSIONS ARE INCHES [MM] TOLERANCES: EXCEPT AS NOTED INCHES |              |
| .X ± .10   | ØXX ± .10    |
| .XX ± .020   | ØXXX ± .015  |
| .XXX ± .015  | ØXXXX ± .010 |
| APPROVALS  | DATE         |
| DRAWN  | DY           |
| CHECKED  |              |
| APPROVED   |              |

|                           |       |                    |      |      |
|---------------------------|-------|--------------------|------|------|
| TITLE                     |       | PART NO.           |      | REV. |
| RCA JACK, 2 PORTS, GANGED |       | RCA-6-1-W/R-PBT-EU |      |      |
| SIZE                      | SCALE | SHEET              | OF   |      |
| X                         | NTS   | 1                  | OF 1 |      |
| REF: S00025C              |       |                    |      |      |