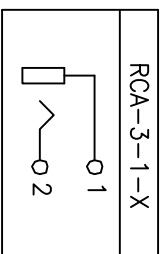
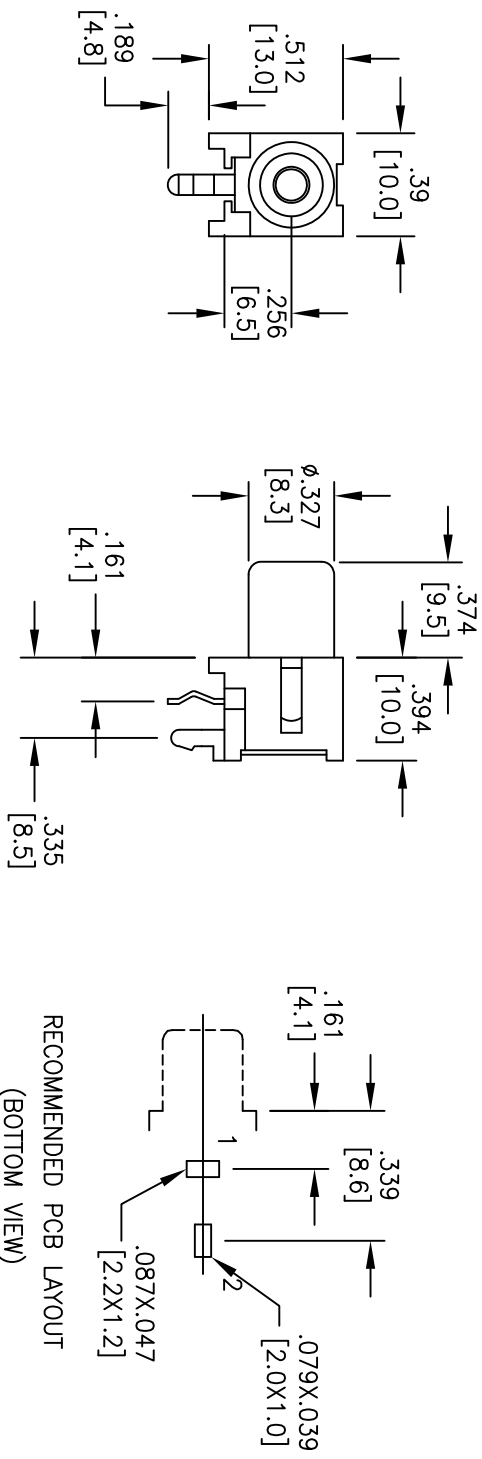


APPROVED: \_\_\_\_\_  
 DATE: \_\_\_\_\_ TITLE: \_\_\_\_\_

Rev	AWO #	Description	Date	Appr
-	7608	RELEASED	4/27/07	
A	7608	ADDED PIN	1/11/11	
B		ADDED DIM.	6/13/11	



COLOR	P/N:
RED	RCA-3-1-R
WHITE	RCA-3-1-W
BLACK	RCA-3-1-B
YELLOW	RCA-3-1-Y
ORANGE	RCA-3-1-O
GREEN	RCA-3-1-GRN
BLUE	RCA-3-1-BLU

**SPECIFICATIONS:**

Material: Insulator: PBT, glass reinforced thermoplastic, rated UL 94V-0  
 Insulator colors: Red, White, Black & Yellow, Orange, Green, Blue  
 Contacts: Brass  
 Plating: Tin or Silver over Copper underplate.

Electrical: Operation voltage: 30V DC max.  
 Current rating: 1 Amp max  
 Contact resistance: 30 mohms max.  
 Insulation resistance: 100 Mohms min  
 Dielectric withstanding voltage: 500 VAC for 1 minute  
 Environmental: Temperature rating: Operating temperature: -25°C to +80°C  
 Lead free, RoHS compliant.  
 Recommended soldering temp: 235°C for 5 sec.



**ADAM TECH**

909 Rahway Avenue, Union, NJ 07083  
 Phone: 908-687-5000 Fax: 908-687-5710

RCA JACK, RIGHT ANGLE,  
 PCB MOUNT

UNLESS OTHERWISE SPECIFIED ALL DIMENSIONS ARE INCHES [MM] TOLERANCES: EXCEPT AS NOTED INCHES Holes ±.10 ØXX ±.015 .XXX ±.015		DATE	
APPROVALS		DATE	
DRAWN	BW	4/27/07	
CHECKED			
APPROVED			
SIZE	PART NO.	REV.	
X	RCA-3-1-X	B	
REF: S00022C	SCALE: NTS	SHEET 1 OF 1	