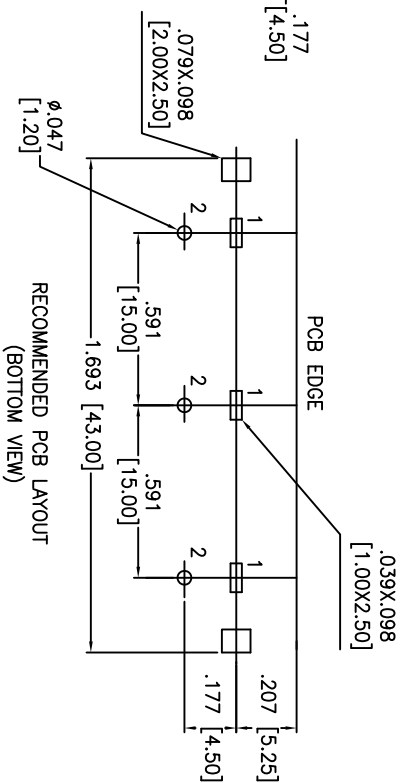
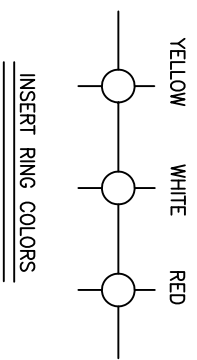
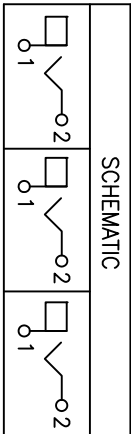
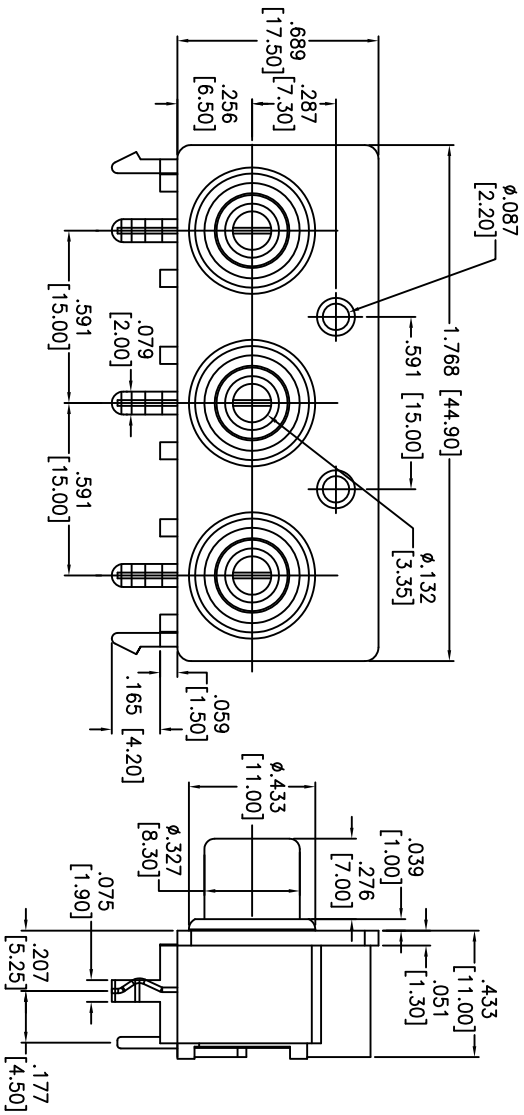


Rev	AWO #	Description	Date	Appr
-		RELEASED	11/01/10	

APPROVED: _____ TITLE: _____
 DATE: _____



SPECIFICATIONS:

Material: _____
 Housing: PBT, color Black
 Ring: PBT, color Yellow, White, Red
 Barrel: Brass, Nickel plated
 Terminal: Brass, Tin plated
 Electrical:
 Rated Voltage & Current: DC12V, 2A Max; AC100V, 1A Max.
 Contact resistance: 30 mohms max.
 Insulation resistance: 100 Mohms min
 Dielectric withstanding voltage: 500 VAC for 1 minute
 Temperature rating:
 Operating temperature: -25°C to +80°C
 Environmental:
 Lead free, RoHS compliant.
 Recommended soldering temp: 235°C for 5 sec.
 Packaging:
 Anti-ESD plastic bags

ADAM TECH

909 Rahway Avenue, Union, NJ 07083
 Phone: 908-687-5000 Fax: 908-687-5710

RCA JACK, 3 PORTS, GANGED

UNLESS OTHERWISE SPECIFIED ALL DIMENSIONS ARE INCHES [MM]	
TOLERANCES: EXCEPT AS NOTED	
INCHES	HOLES
.X ± .10	ØX ± .10
.XX ± .020	ØXX ± .015
.XXX ± .015	ØXXX ± .010
APPROVALS	DATE
DRAWN	DY
11/01/10	
CHECKED	
APPROVED	

SIZE	PART NO.	REV.
X	RCA-28-Y/W/R	-
REF: S00095T	SCALE: NTS	SHEET 1 OF 1