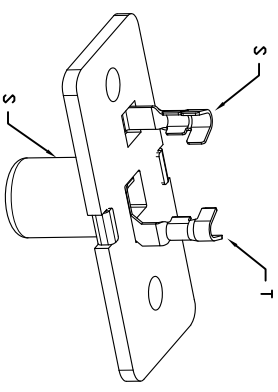
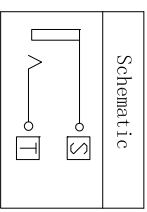
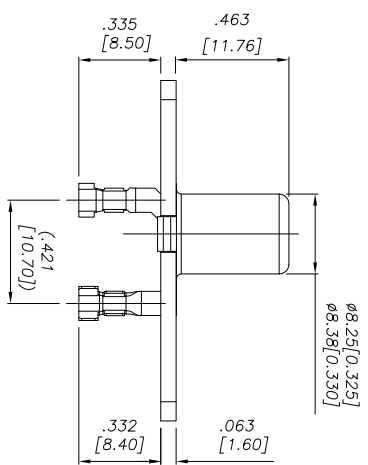
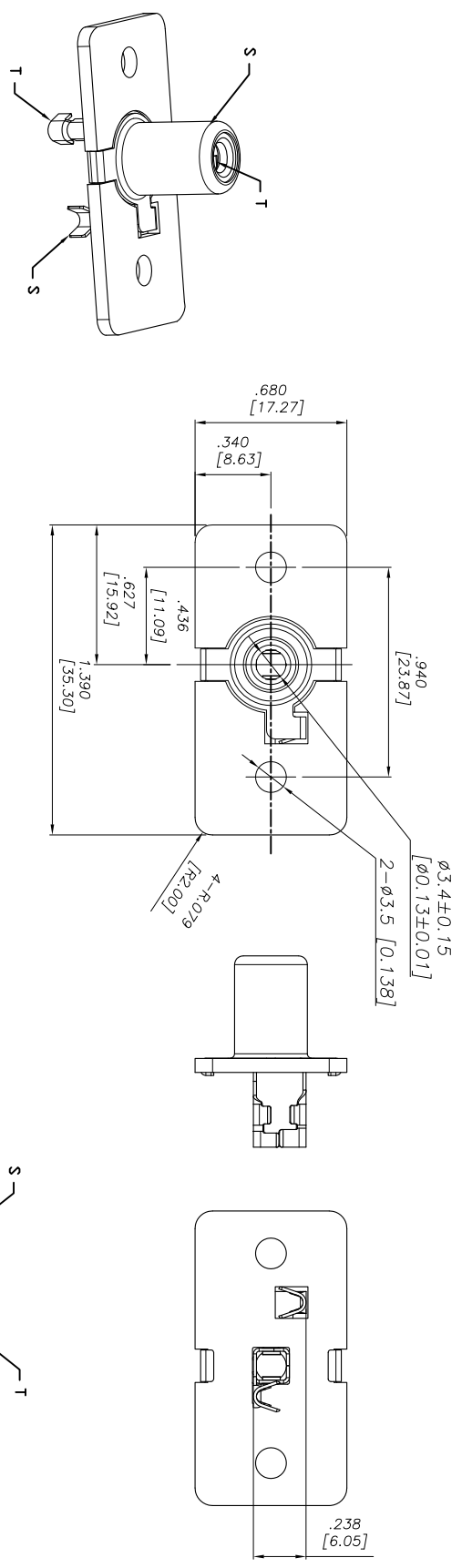


APPROVED: _____ TITLE: _____
 DATE: _____

Rev	AWO #	Description	Date	Appr
-	8155	RELEASED	7/21/09	
A	8155	UPDATED DIA & CHGD INSULATION RES	7/29/09	
B	8155	HOLE DIA .013 WAS .014	7/30/09	
C	8155	REVISED SPEC.	9/25/09	



SPECIFICATIONS:

Material:

Body: PA9T, UL 94V-0, color Black
 Washer: PBT, UL 94V-0, color White
 Outer contact: Brass, Tin plating.
 Center contact: Phosphor Bronze, Nickel plating

Electrical:

Voltage Rating: 30V DC
 Current Rating: 1A
 Contact resistance: 30 mohms max.
 Insulation resistance: 100 Mohms min @250V DC
 Dielectric withstanding voltage: 500 VAC for 1 minute

Mechanical:

Life: 1000 Cycles
 Insertion / Withdrawal: 3-30N
 Recommended wire size: 22 - 24 Awg
 Environmental:
 Temperature rating:
 Operating temperature: -40°C to +175°C
 Recommended soldering temp: 260°C for 5 sec.
 Lead free, RoHS compliant.



ADAM TECH

909 Railway Avenue, Union, NJ 07083
 Phone: 908-687-5000 Fax: 908-687-5710

TITLE: RCA JACK, SINGLE PORT, VERTICAL,
 PANEL TYPE, CRIMP CONNECTIONS

UNLESS OTHERWISE SPECIFIED ALL DIMENSIONS ARE INCHES [MM]		TOLERANCES: EXCEPT AS NOTED INCHES		HOLDS	
X	± .10	ØX	± .10		
.XX	± .020	ØXX	± .015		
.XXX	± .015	ØXXX	± .010		
APPROVALS					
DRAWN	SS	DATE	7/21/09	SIZE	PART NO.
CHECKED				X	RCA-22A-1-W-C3
APPROVED				REF:	SCALE: NTS SHEET 1 OF 1