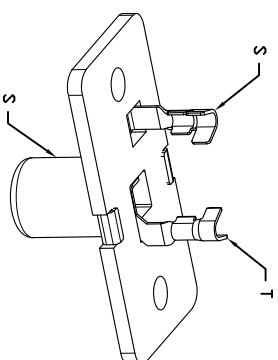
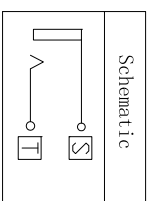
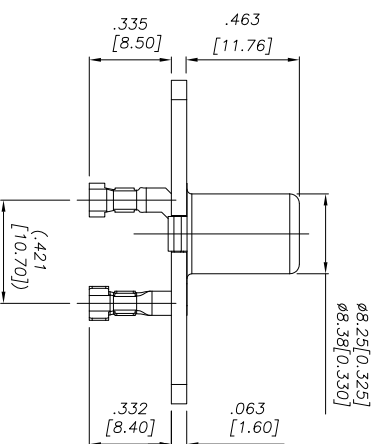
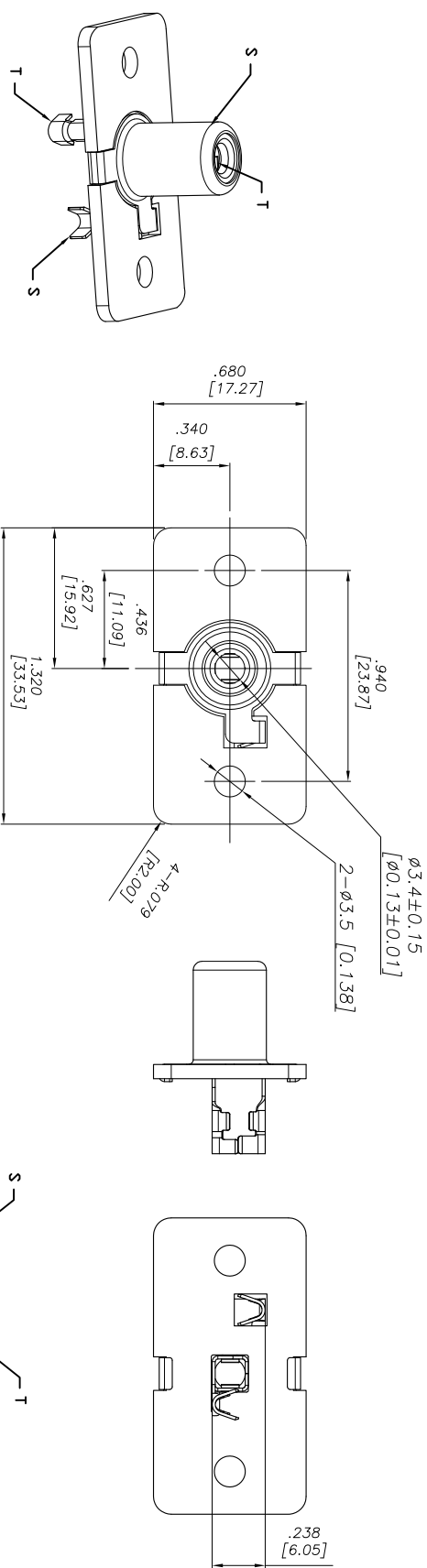


APPROVED: \_\_\_\_\_ TITLE: \_\_\_\_\_  
 DATE: \_\_\_\_\_

Rev	AWO #	Description	Date	Appr
-	8155	RELEASED	7/21/09	
A	8155	UPDATED DIA & CHGD INSULATION RES	7/29/09	
B	8155	INSULATOR HOLE WAS .014"	7/30/09	
C	8155	REVISED SPEC.	9/25/09	



**SPECIFICATIONS:**

**Material:**  
 Body: PA9T, UL 94V-0, color Black  
 Washer: PBT, UL 94V-0, color White  
 Outer contact: Brass, Tin plating.  
 Center contact: Phosphor Bronze, Nickel plating

**Electrical:**  
 Voltage Rating: 30V DC  
 Current Rating: 1A  
 Contact resistance: 30 mohms max.  
 Insulation resistance: 100 Mohms min @250V DC  
 Dielectric withstanding voltage: 500 VAC for 1 minute

**Mechanical:**  
 Life: 1000 Cycles  
 Insertion / Withdrawal: 3-30N  
 Recommended wire size: 22 - 24 Awg

**Environmental:**  
 Temperature rating:  
 Operating temperature: -40°C to +175°C  
 Recommended soldering temp: 260°C for 5 sec.  
 Lead free, RoHS compliant.



**ADAM TECH**

909 Railway Avenue, Union, NJ 07083  
 Phone: 908-687-5000 Fax: 908-687-5710

RCA JACK, SINGLE PORT, VERTICAL,  
 PANEL TYPE, CRIMP CONNECTIONS

UNLESS OTHERWISE SPECIFIED ALL DIMENSIONS ARE INCHES [MM]	
TOLERANCES: EXCEPT AS NOTED	
INCHES	HOLDS
.X ± .10	± .10
.XX ± .020	± .015
.XXX ± .015	± .010
.XXX ± .015	± .010
APPROVALS	DATE
SS	7/21/09
DRAWN	
CHECKED	
APPROVED	

REF:	SIZE	PART NO.	REV.
X	X	RCA-22-1-W-C3	C
SCALE:	NTS	SHEET 1 OF 1	