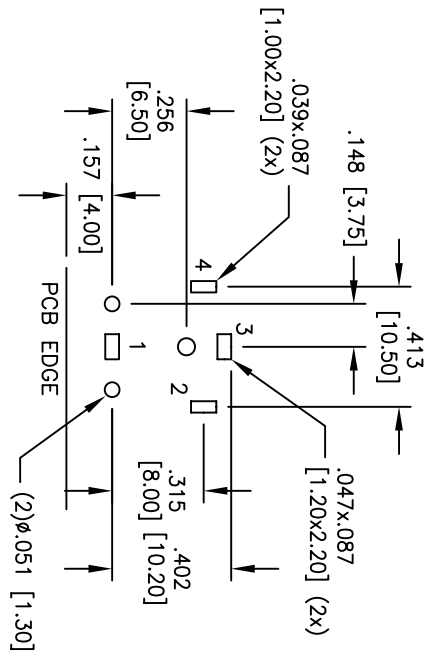
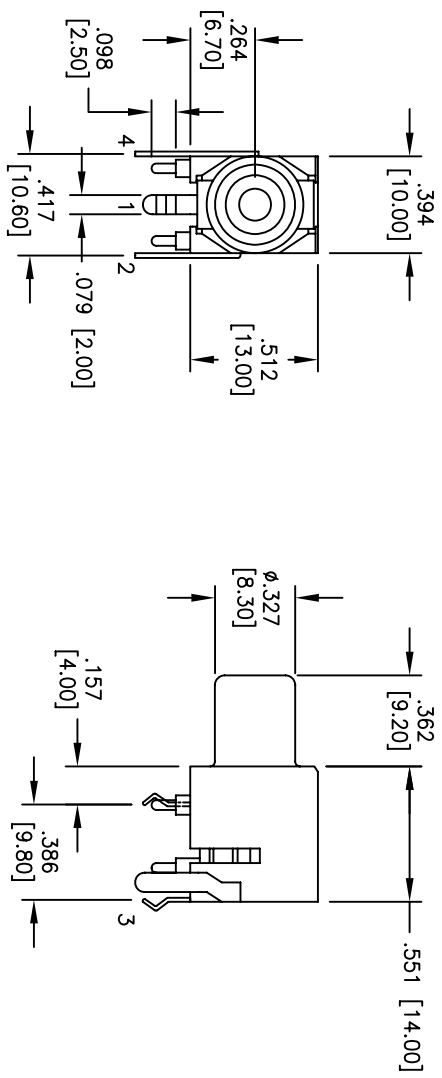


Rev	AWO #	Description	Date	Appr
-		RELEASED	12/10/04	

APPROVED: _____ TITLE: _____
 DATE: _____



PART NO.	COLOR
RCA-2-X-R	RED
RCA-2-X-B	BLACK
RCA-2-X-W	WHITE
RCA-2-X-Y	YELLOW

CIRCUIT TYPES		
1	2	3
RCA-2-1	RCA-2-2	RCA-2-3

SPECIFICATIONS:
 Material: PBT, Glass reinforced, rated UL 94V-0
 Insulator colors: Red, Black, Yellow, White
 Bushing: Brass, Nickel plated
 Contacts: Brass
 Plating: Tin or Silver over Copper underplate

Electrical:
 Operating voltage: 12 VDC max.
 Current rating: 1 Amp max.
 Contact resistance: 30 mohms max. initial
 Insulation resistance: 100 Mohms min.
 Dielectric withstanding voltage: 500 VAC for 1 minute
 Temperature Rating:
 Operating temperature: -25°C to +85°C

Environmental:
 Lead free, RoHS Compliant
 Recommended soldering temp: 235°C for 5 seconds



ADAM TECH

909 Railway Avenue, Union, NJ 07083
 Phone: 908-687-5000 Fax: 908-687-5710

UNLESS OTHERWISE SPECIFIED ALL DIMENSIONS ARE INCHES [MM]	
TOLERANCES: EXCEPT AS NOTED	INCHES
X ± .10	ØX ± .10
.XX ± .020	ØXX ± .015
.XXX ± .015	ØXXX ± .010
APPROVALS	DATE
SS	10/4/04
CHECKED	
APPROVED	

TITLE	RCA JACK
SIZE	PART NO.
X	RCA-2-X-X
REF:	SCALE: NTS
	SHEET 1 OF 1