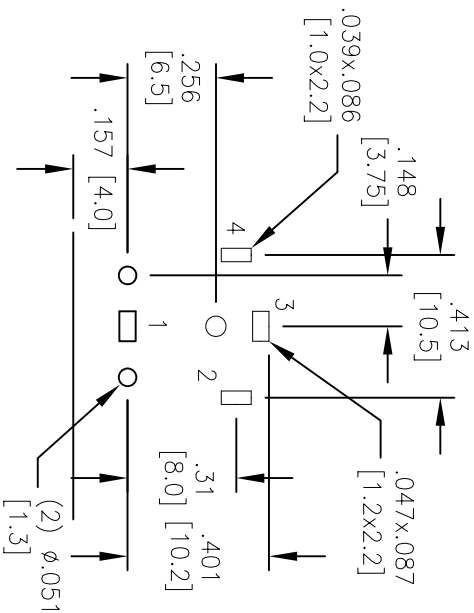
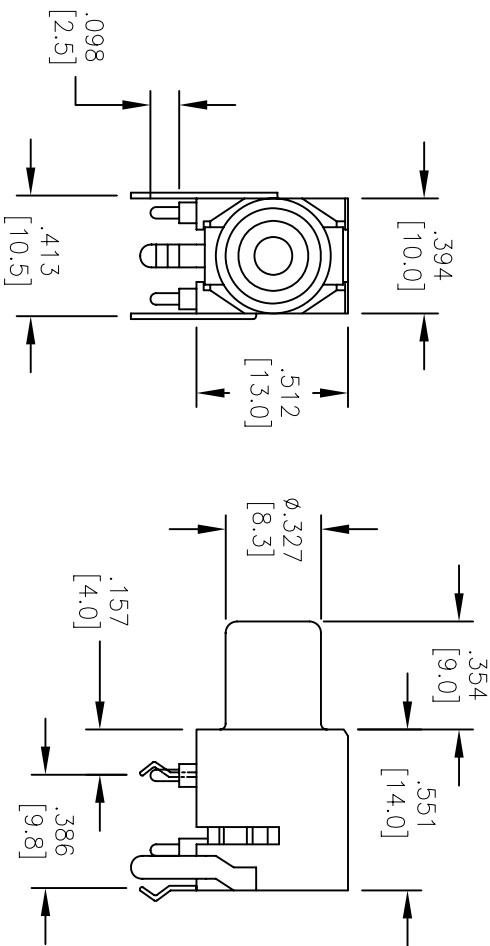
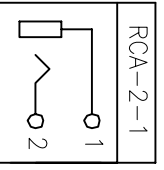


Rev	AWO #	Description	Date	Appr
-		RELEASED	12/9/04	

APPROVED: _____
 DATE: _____ TITLE: _____



RECOMMENDED PCB LAYOUT
(BOTTOM VIEW)



PART NO.	COLOR
RCA-2-1-B	BLACK
RCA-2-1-R	RED
RCA-2-1-W	WHITE
RCA-2-1-Y	YELLOW

SPECIFICATIONS:

Material:

Insulator: PBT, glass reinforced thermoplastic, rated UL 94V-0

Insulator colors: Red, White, Black & Yellow

Bushing: Brass, Nickel plated

Contacts: Brass

Plating:

Tin or Silver over Copper underplate.

Electrical:

Operation voltage: 12V DC max

Current rating: 1 Amp max

Insulation resistance: 100 Mohms min

Dielectric withstanding voltage: 500 VAC for 1 minute

Temperature rating:

Operating temperature: -25°C to +85°C

Environmental:

Lead free, RoHS compliant.

Recommended soldering temp: 235°C for 5 sec.

Packaging:

Anti-ESD plastic bags



ADAM TECH

909 Railway Avenue, Union, NJ 07083
 Phone: 908-687-5000 Fax: 908-687-5710

TITLE: RCA JACK, RIGHT ANGLE, 1 PORT,
 PCB MOUNT

UNLESS OTHERWISE SPECIFIED ALL DIMENSIONS ARE INCHES [MM] TOLERANCES: EXCEPT AS NOTED		DRAWN		SS		12/9/04	
INCHES		Holes		DATE		TITLE	
.X ± .10		ØXX ± .10		DATE		RCA JACK, RIGHT ANGLE, 1 PORT, PCB MOUNT	
.XX ± .020		ØXX ± .015		DATE		SIZE PART NO.	
.XXX ± .015		ØXXX ± .010		DATE		X RCA-2-1-X	
APPROVALS		DATE		DATE		SCALE: NTS	
DRAWN		DATE		DATE		SHEET 1 OF 1	
CHECKED		DATE		DATE		REV.	
APPROVED		DATE		DATE		-	