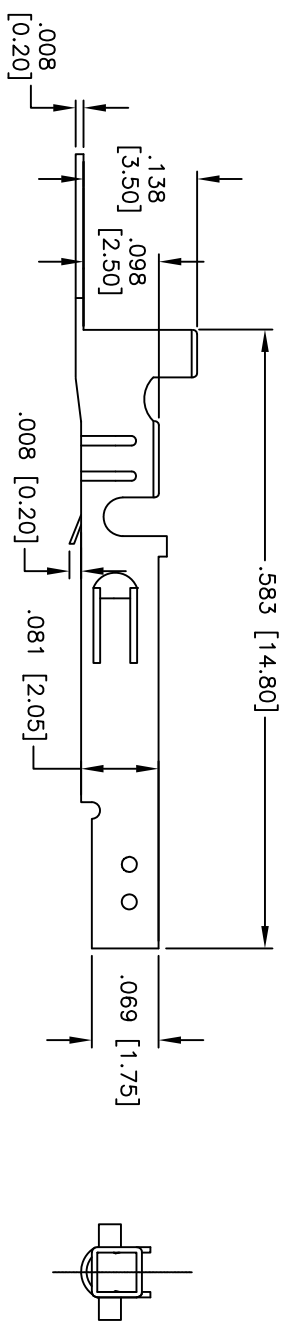
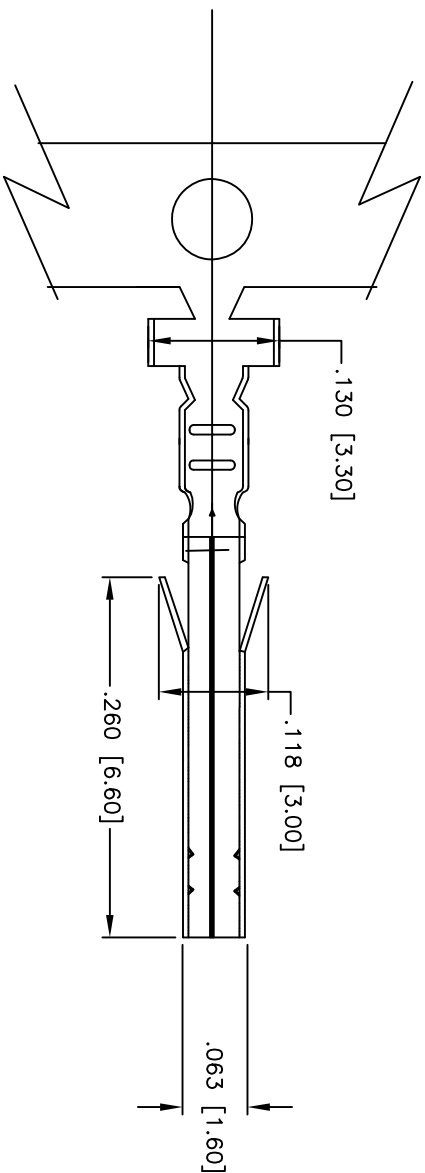


Rev	AWO #	Description	Date	Appr
-		RELEASED	4/30/10	

APPROVED: _____
 DATE: _____ TITLE: _____



SPECIFICATIONS:
 Terminal: Brass, Tin plated
 Thickness: 0.2mm
 Wire Range: AWG#22~24
 Insulation O.D.: 2.5mm max
 Qty/roll: 5000 pcs
 Environmental:
 Lead free, ROHS compliant.



UNLESS OTHERWISE SPECIFIED ALL DIMENSIONS ARE IN INCHES [MM]	
TOLERANCES: EXCEPT AS NOTED	
INCHES	HOLDS
.X ± .10	ØXX ± .10
.XX ± .020	ØXXX ± .015
.XXX ± .015	ØXXXX ± .010
APPROVALS	DATE
DRAWN DY	4/30/10
CHECKED	
APPROVED	

ADAM TECH
 909 Rahway Avenue, Union, NJ 07083
 Phone: 908-687-5000 Fax: 908-687-5710

TITLE: TERMINAL

SIZE	PART NO.	REV.
X	QDT-003	-
REF: S00137T	SCALE: NTS	SHEET 1 OF 1