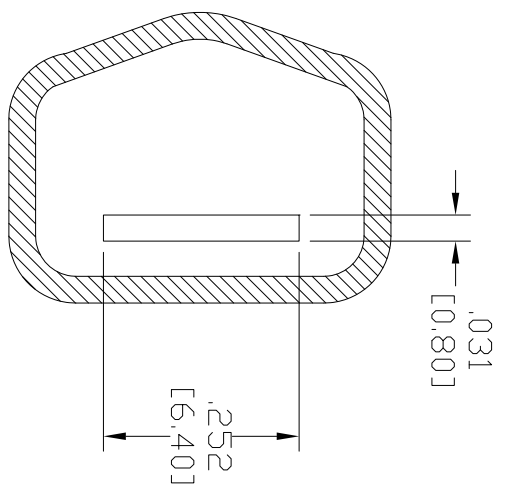
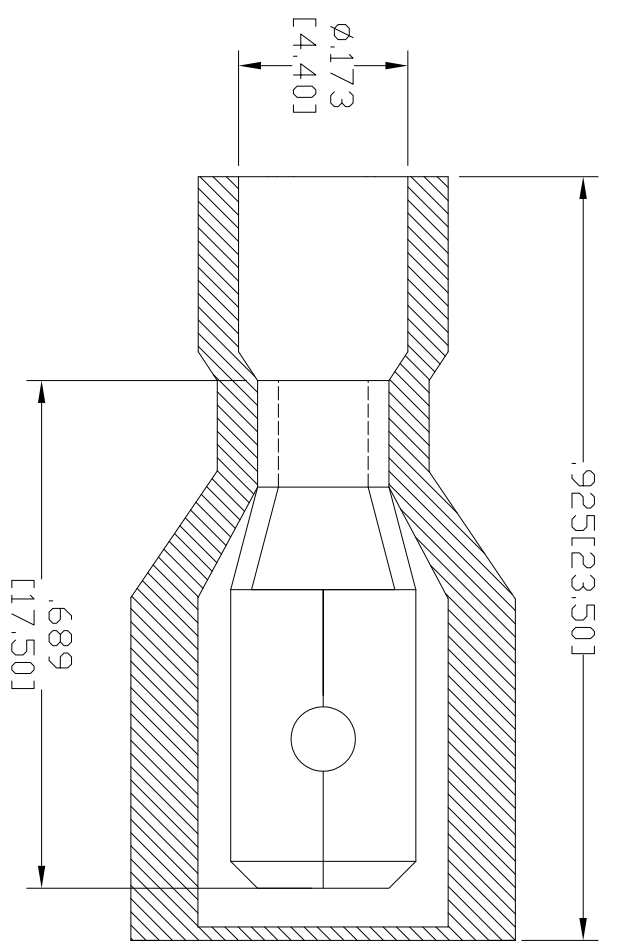


Rev	AWO #	Description	Date	Appr
-		RELEASED	7/30/10	

APPROVED: _____
 DATE: _____ TITLE: _____



SPECIFICATIONS:

Material:
 Insulator: Nylon
 Insulator color: Blue
 Terminal: Brass

Plating:
 Terminal: Tin

Electrical:
 16-14AWG

Environmental:
 Lead free, RoHS compliant.



UNLESS OTHERWISE SPECIFIED ALL DIMENSIONS ARE INCHES [MM]	
TOLERANCES: EXCEPT AS NOTED	
INCHES	HOLE
.X ± .10	ØX ± .10
.XX ± .020	ØXX ± .015
.XXX ± .015	ØXXX ± .010
APPROVALS	DATE
DRAWN AY	7/30/10
CHECKED AH	7/30/10
APPROVED	

ADAM TECH
 909 Railway Avenue, Union, NJ 07083
 Phone: 908-687-5000 Fax: 908-687-5710

TITLE: MALE DISCONNECTOR
 NYLON-FULLY INSULATED COUPLER

SIZE X	PART NO. QDM-252-16/14-FI	REV. -
REF: S0015T	SCALE: NTS	SHEET 1 OF 1