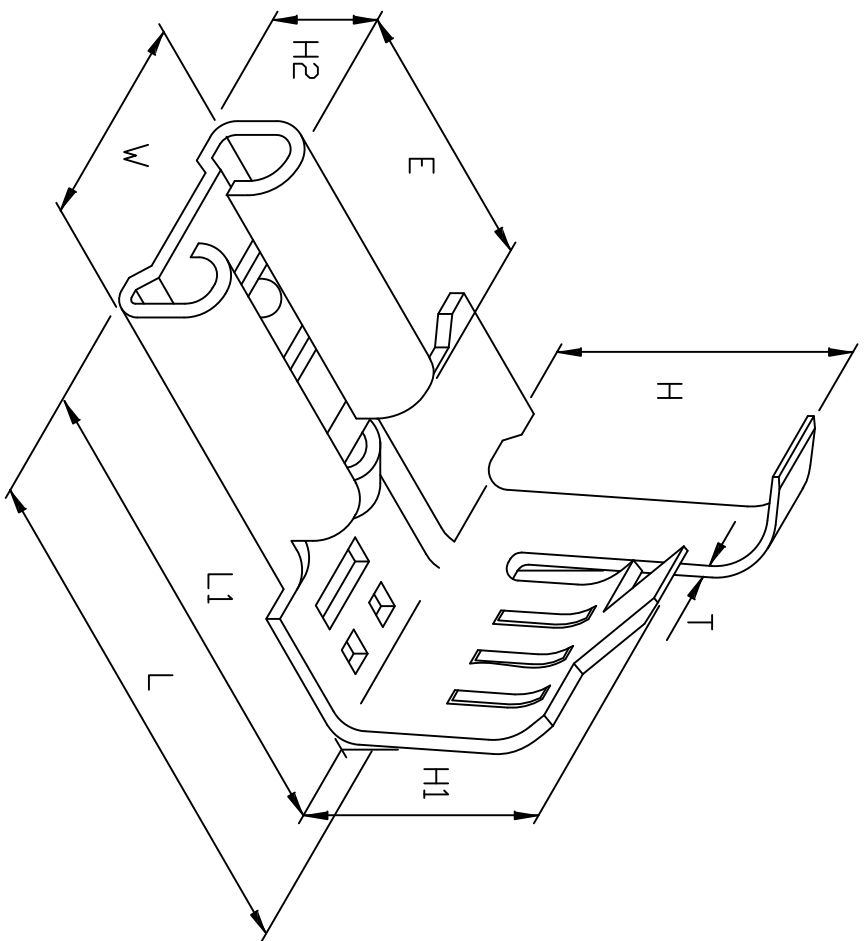


Rev	AWO #	Description	Date	Appr
-		RELEASED	10/20/10	

APPROVED: _____
 DATE: _____ TITLE: _____



	inch	mm
T	.014	0.35
L	.472	12.00
L1	.461	11.70
E	.252	6.40
W	.220	5.60
H	.339	8.00
H1	.307	7.80
H2	.094	2.40

SPECIFICATIONS:

Material:
 Terminal: Brass, Tin plated
 Thickness: 0.35mm
 Wire Range: AWG#16~22
 Insulation O.D.: 3.5mm max.
 Mate Pin thickness: 0.5mm
Electrical:
 Voltage rating: AC/250V, DC/350V
 Current rating: AC,DC,10A
 Temperature range: -25°C to +85°C
 Environmental:
 Lead free, RoHS compliant.



UNLESS OTHERWISE SPECIFIED
 ALL DIMENSIONS ARE INCHES [MM]
 TOLERANCES: EXCEPT AS NOTED

INCHES	HOLDS
.X ± .10	ØX ± .10
.XX ± .020	ØXXX ± .015
.XXX ± .015	ØXXX ± .010

APPROVALS	DATE
DRAWN DY	10/20/10
CHECKED	
APPROVED	

ADAM TECH

909 Rahway Avenue, Union, NJ 07083
 Phone: 908-687-5000 Fax: 908-687-5710

TITLE: .187" QUICK DISCONNECT TERMINAL, FLAG TYPE

SIZE	PART NO.	REV.
X	QDF-.187/014-22/16-T	-

REF: S00137T SCALE: NTS SHEET 1 OF 1

6 5 4 3 2 1